

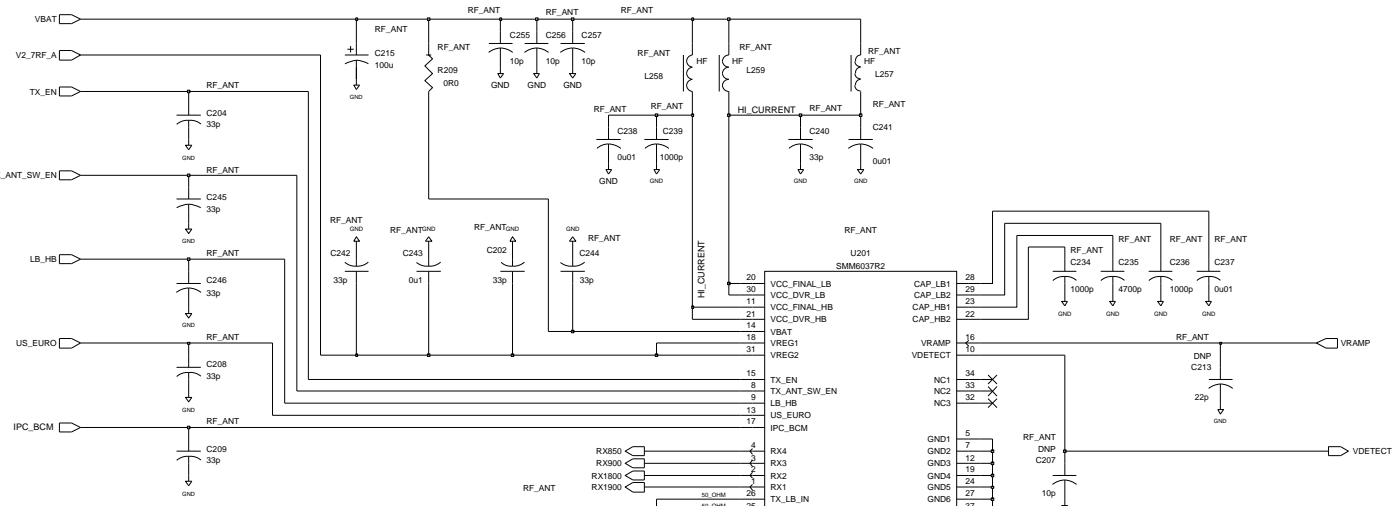
To be used with Keyboard Long Tail Flex POP-13432-001/PCB-13431-001  
 using DF30 Mating Connector CON-00083-001

<b>HIERARCHICAL BLOCK</b> MAIN		COPYRIGHT 2006, RESEARCH IN MOTION LIMITED 295 PHILLIP ST. WATERLOO, ONTARIO, CANADA PHONE: (519) 888-7465, FAX (519) 888-6306	
		<b>TITLE</b> GammaRay	
<b>DRAWN BY</b> Cameron Steeves		<b>R&amp;D CHECK</b> (None listed)	
<b>IFG CHECK</b> (None listed)		<b>SIZE</b> (None listed)	
<b>Edi Led Bu:</b> csteaves		<b>DRAWING No.</b> SCH-14115-006	
<b>Level</b> Ed1:1 Dec 7, 2006, 11:35:02 am		<b>REV</b> 3	
		<b>SHEET</b> 1 OF 13	

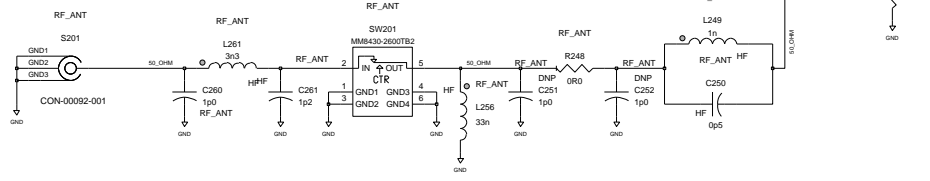
U409  
MM6600R2

A3	GND1	GND37	F8
A7	GND2	GND38	F6
A8	GND3	GND39	F5
A10	GND4	GND40	F4
A11	GND5	GND41	G4
B11	GND6	GND42	G5
B10	GND7	GND43	G6
B8	GND8	GND44	G7
B7	GND9	GND45	G8
C4	GND10	GND46	G9
C6	GND11	GND47	G10
C7	GND12	GND48	G11
C8	GND13	GND49	H11
C9	GND14	GND50	H9
C11	GND15	GND51	H8
C12	GND16	GND52	H7
D11	GND17	GND53	H5
D10	GND18	GND54	H4
D9	GND19	GND55	H3
D8	GND20	GND56	J6
D7	GND21	GND57	J10
D6	GND22	GND58	J11
D5	GND23	GND59	K2
D4	GND24	GND60	K11
E4	GND25	GND61	K10
E6	GND26	GND62	K8
E7	GND27	GND63	K7
E8	GND28	GND64	K6
E9	GND29	GND65	K5
E10	GND30	GND66	L4
GND31	GND67	GND68	L5
E11	GND32	GND69	L6
F12	GND33	GND70	L7
F10	GND34	GND71	L9
GND35	GND72	L11	
F9	GND36	GND72	L11

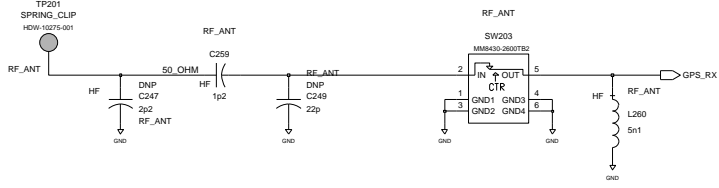
NOT AN APPROVED PART  
ANA-00071-0001.030904.006\_1\_Art\_051008\_Art



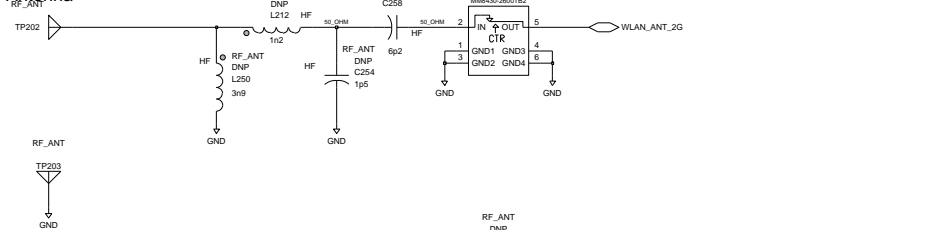
(850/900/1800/1900 MHz)  
GSM850/GSM900/DCS1800/PCS1900 ANTENNA



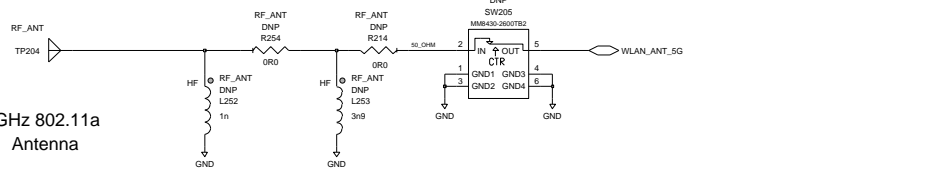
GPS ANTENNA



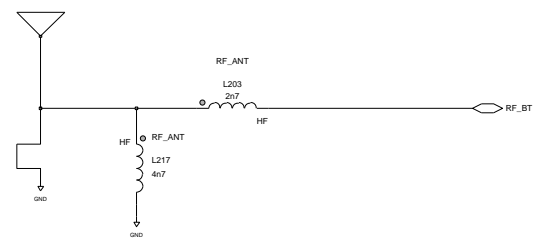
2.4GHz 802.11b/g  
Antenna



5 GHz 802.11a  
Antenna

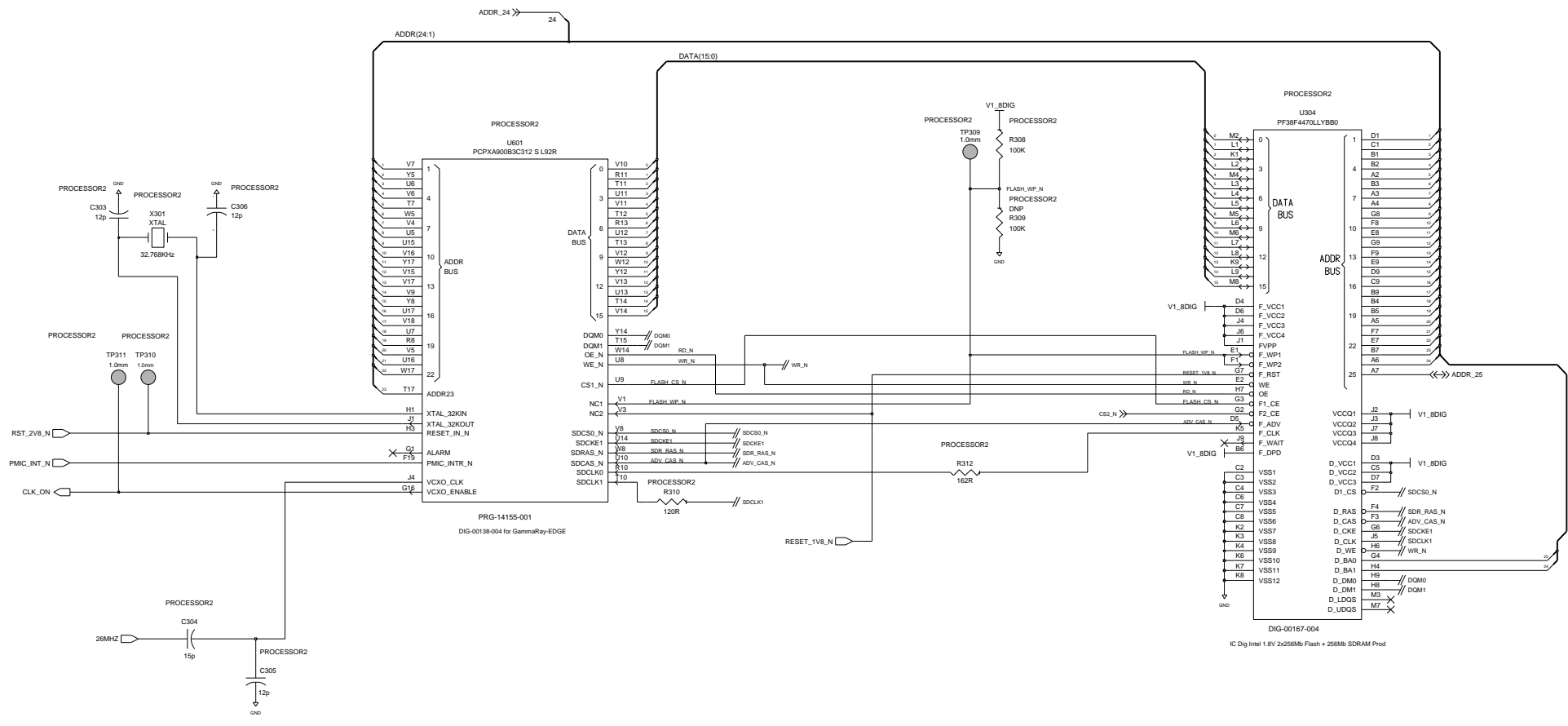


BLUETOOTH ANTENNA



RESEARCH IN MOTION CONFIDENTIAL

HIERARCHICAL BLOCK RF_ANT		COPYRIGHT 2007, RESEARCH IN MOTION LIMITED 295 PHILLIP ST. WATERLOO, ONTARIO, CANADA PHONE: (519) 888-7465, FAX (519) 888-6306	
DRAWN BY Cameron Steeves		TITLE GammaRay	
R&D CHECK		(uses: PCB-12993-006) DF30 Populated	
MFG CHECK		SIZE DRAWING No. SCH-14115-006	
Edi Led Bu: blattamm		C	
Last Ed1: Sep 14, 2007, 11:36:09 am		REV 3 SHEET 2 OF 13	



RESEARCH IN MOTION CONFIDENTIAL

<b>HIERARCHICAL BLOCK</b> PROCESSOR2		COPYRIGHT 2007, RESEARCH IN MOTION LIMITED 295 PHILLIP ST. WATERLOO, ONTARIO, CANADA PHONE: (519) 888-7465, FAX (519) 888-6306	
<b>DRAWN BY</b> Cameron Steeves		<b>TITLE</b> GammaRay	
<b>R&amp;D CHECK</b>		(uses: PCB-12993-006) DF30 Populated	
<b>NYG CHECK</b>		<b>SIZE</b> DRAWING No. SCH-14115-006	
<b>Edi Led By:</b> blattamm		<b>C</b>	<b>REV</b> 3
<b>Level:</b> Ed1: Sep 14, 2007, 1:36:54 pm			<b>SHEET</b> 3 OF 13

D

D

C

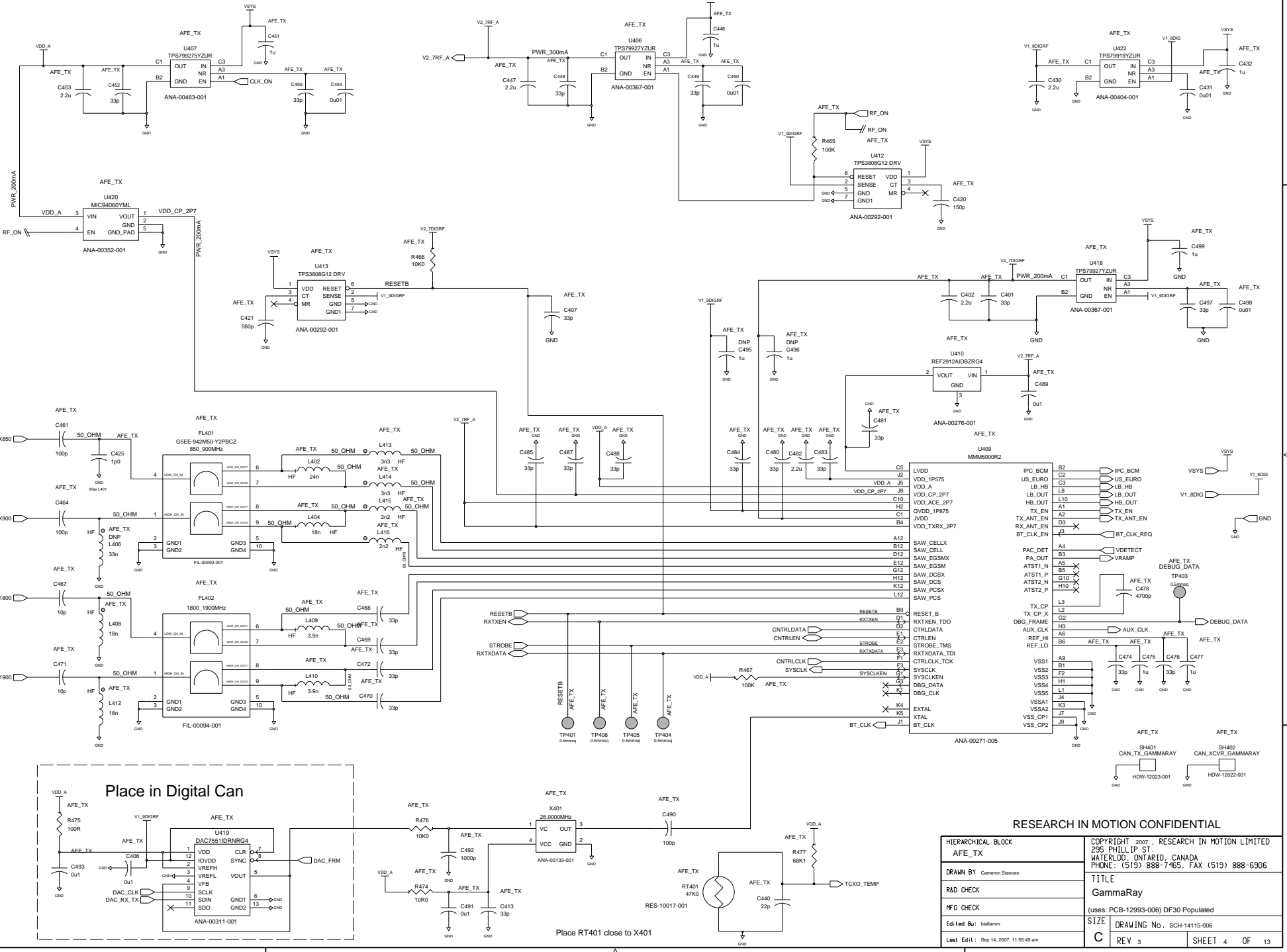
C

B

B

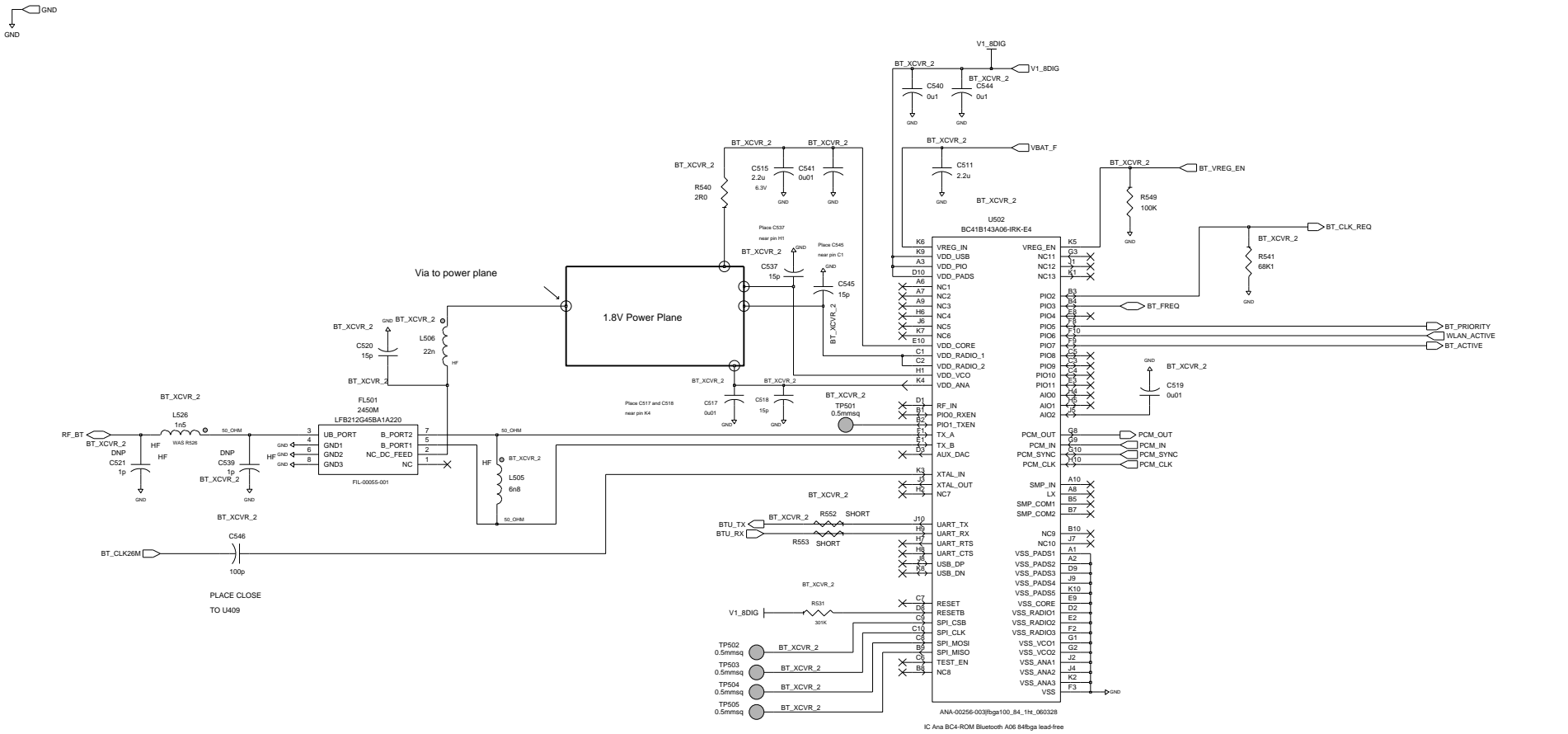
A

A



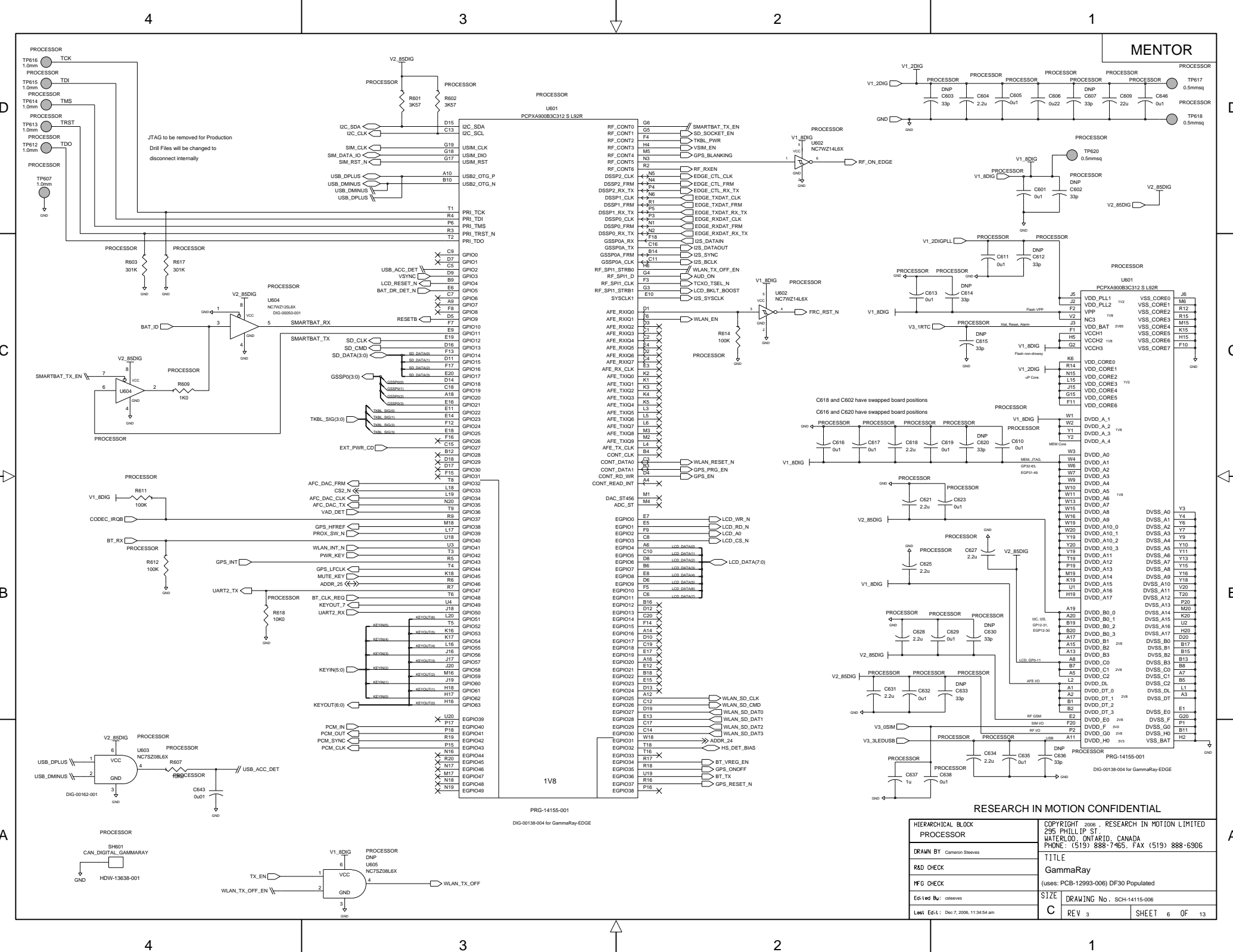
RESEARCH IN MOTION CONFIDENTIAL

HIERARCHICAL BLOCK AFE_TX	COPYRIGHT 2007, RESEARCH IN MOTION LIMITED 295 PHILLIP ST. WATERLOO, ONTARIO, CANADA PHONE: (519) 888-7465, FAX (519) 888-6306
DRAWN BY Cameron Steeves	TITLE GammaRay
R&D CHECK	(uses: PCB-12993-006) DF30 Populated
IFG CHECK	SIZE DRAWING No. SCH-14115-006
Edi Led Bu: blattamm	C REV 3 SHEET 4 OF 13
Len1 Ed1: Sep 14, 2007, 11:55:49 am	



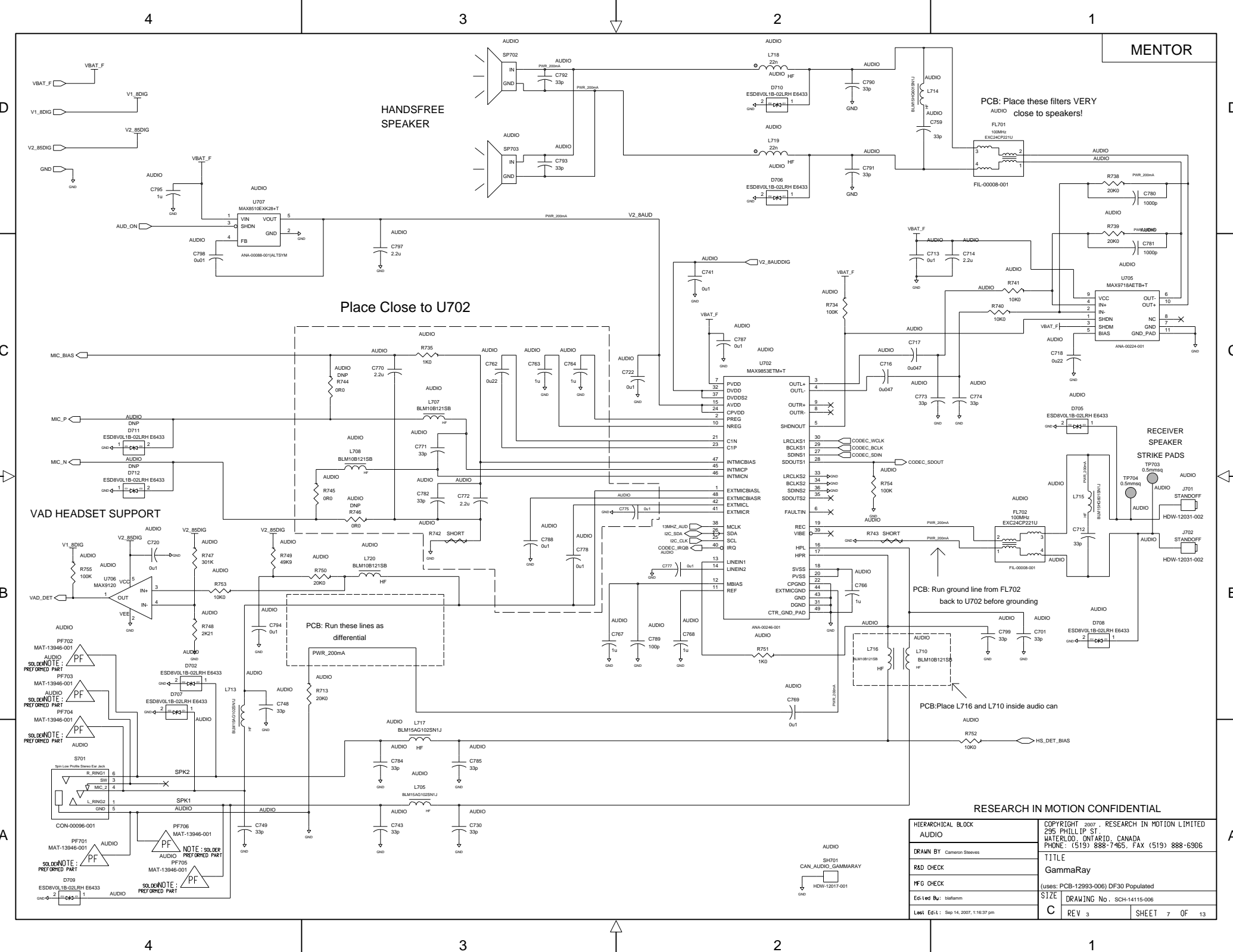
RESEARCH IN MOTION CONFIDENTIAL

HIERARCHICAL BLOCK BT_XCVR_2		COPYRIGHT 2007, RESEARCH IN MOTION LIMITED 295 PHILLIP ST. WATERLOO, ONTARIO, CANADA PHONE: (519) 888-7465, FAX (519) 888-6306	
DRAWN BY Cameron Steeves		TITLE GammaRay	
R&D CHECK		(uses: PCB-12993-006) DF30 Populated	
MFG CHECK		SIZE DRAWING No. SCH-14115-006	
Edi Led By: blattamm		C	
Last Edt: Sep 14, 2007, 11:44:49 am		REV 3 SHEET 5 OF 13	



RESEARCH IN MOTION CONFIDENTIAL

HIERARCHICAL BLOCK PROCESSOR		COPYRIGHT 2006, RESEARCH IN MOTION LIMITED 295 PHILLIP ST. WATERLOO, ONTARIO, CANADA PHONE: (519) 888-7465, FAX (519) 888-6306	
DRAWN BY Cameron Steeves	R&D CHECK	TITLE GammaRay	
IFG CHECK	Edi Led Bu: csteaves	SIZE DRAWING No. SCH-14115-006	
Rev 3	Dec 7, 2006, 11:34:54 am	SHEET 6 OF 13	



MENTOR

HANDSFREE SPEAKER

Place Close to U702

VAD HEADSET SUPPORT

RECEIVER SPEAKER STRIKE PADS

PCB: Run these lines as differential

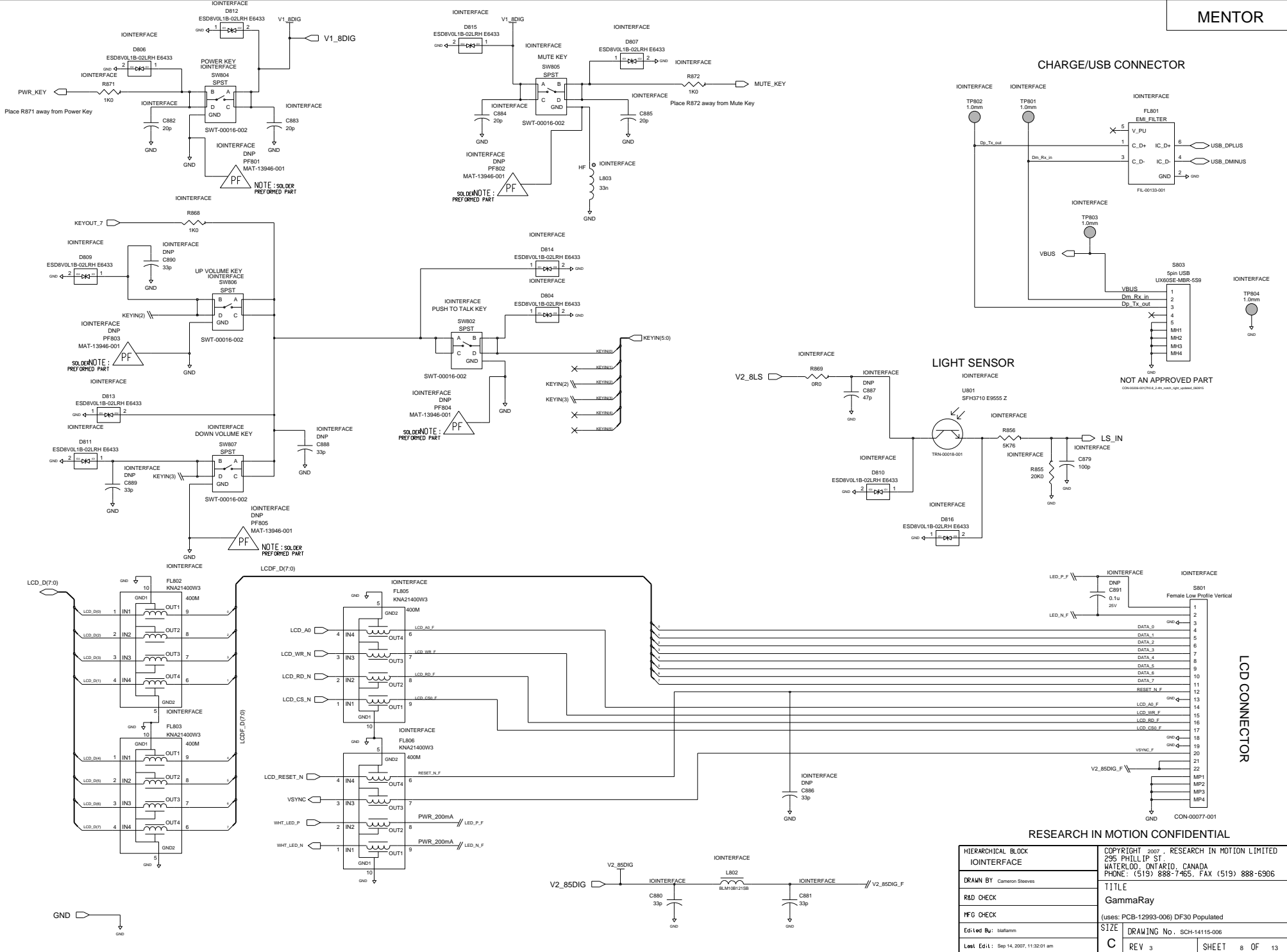
PCB: Run ground line from FL702 back to U702 before grounding

PCB: Place L716 and L710 inside audio can

PCB: Place these filters VERY close to speakers!

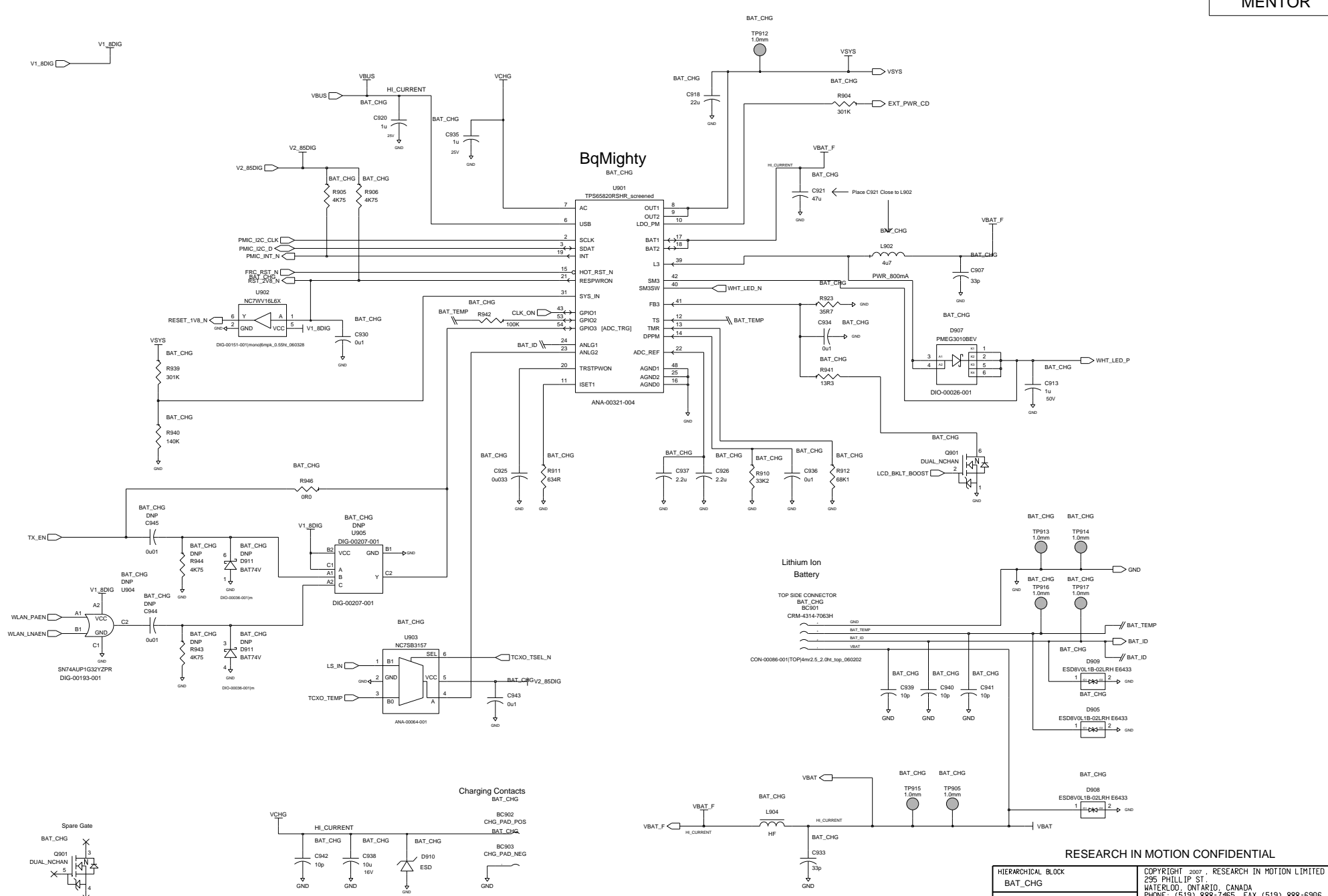
RESEARCH IN MOTION CONFIDENTIAL

HIERARCHICAL BLOCK AUDIO		COPYRIGHT 2007, RESEARCH IN MOTION LIMITED 295 PHILLIP ST. WATERLOO, ONTARIO, CANADA PHONE: (519) 888-7465, FAX (519) 888-6306	
DRAWN BY Cameron Steeves		TITLE GammaRay	
R&D CHECK		(USERS: PCB-12993-006) DF30 Populated	
MFG CHECK		SIZE DRAWING No. SCH-14115-006	
Edi Led By: blattamm		C REV 3 SHEET 7 OF 13	
Last Ed1: Sep 14, 2007, 1:16:37 pm			



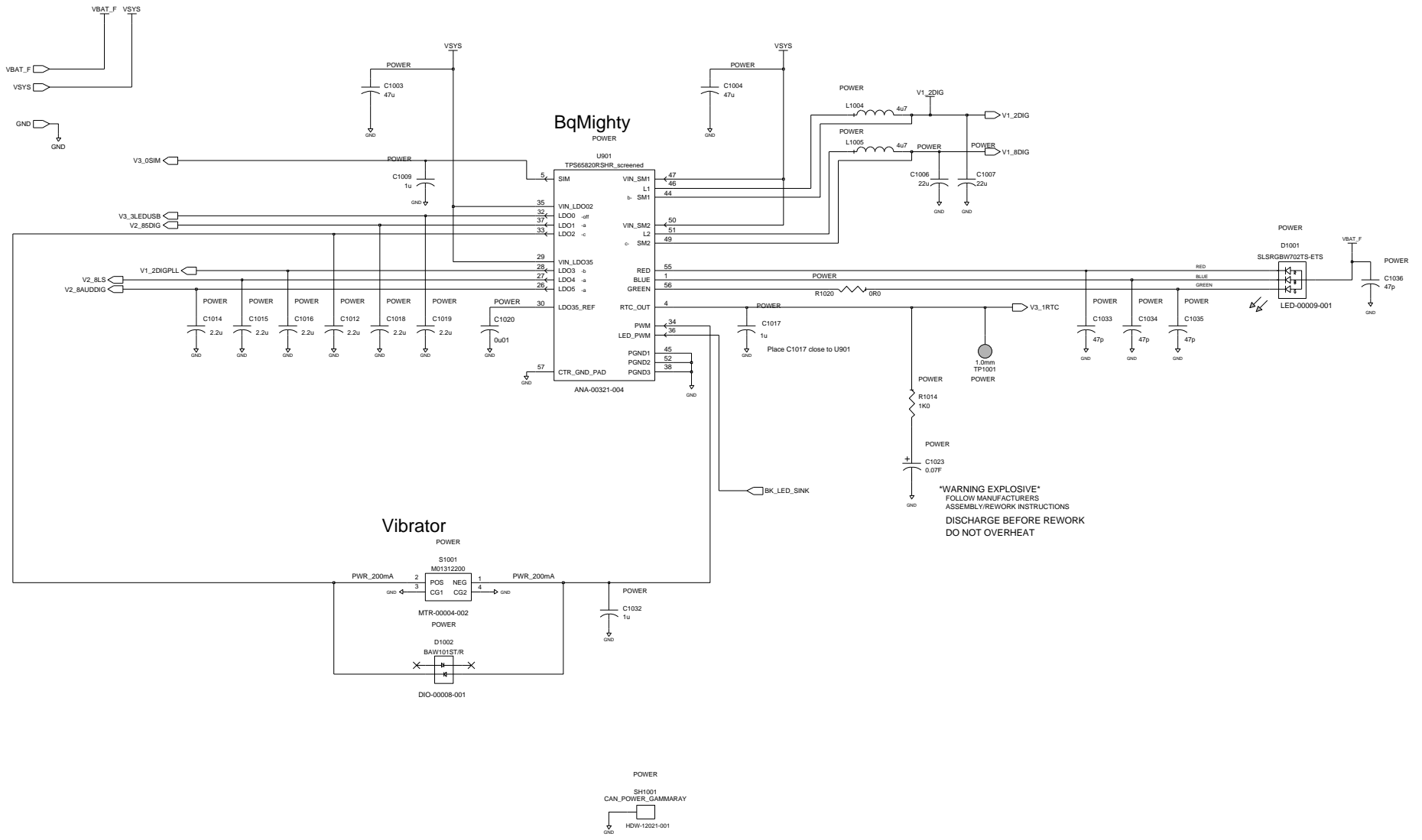
HIERARCHICAL BLOCK I/O INTERFACE		COPYRIGHT 2007, RESEARCH IN MOTION LIMITED 295 PHILLIP ST. WATERLOO, ONTARIO, CANADA PHONE: (519) 888-7465, FAX (519) 888-6306	
DRAWN BY Cameron Steeves		TITLE GammaRay	
R&D CHECK		(uses: PCB-12993-006) DF30 Populated	
MFG CHECK		SIZE DRAWING No. SCH-14115-006	
Edi Led Bu: blattamm		C REV 3	
Last Ed: 1 Sep 14, 2007, 11:32:01 am		SHEET 8 OF 13	



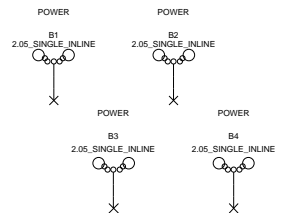


RESEARCH IN MOTION CONFIDENTIAL

HIERARCHICAL BLOCK BAT_CHG		COPYRIGHT 2007, RESEARCH IN MOTION LIMITED 295 PHILLIP ST. WATERLOO, ONTARIO, CANADA PHONE: (519) 888-7465, FAX (519) 888-6306	
DRAWN BY Cameron Steeves		TITLE GammaRay	
R&D CHECK		(uses: PCB-12993-006) DF30 Populated	
MFG CHECK		SIZE DRAWING No. SCH-14115-006	
Edi Led Bu: blattamm		C REV 3 SHEET 9 OF 13	
Last Ed: 1 Sep 14, 2007, 1:11:50 pm			



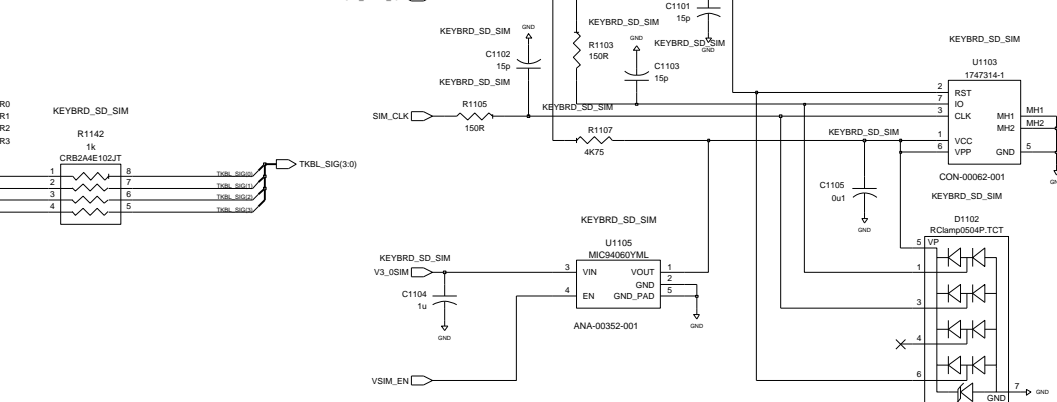
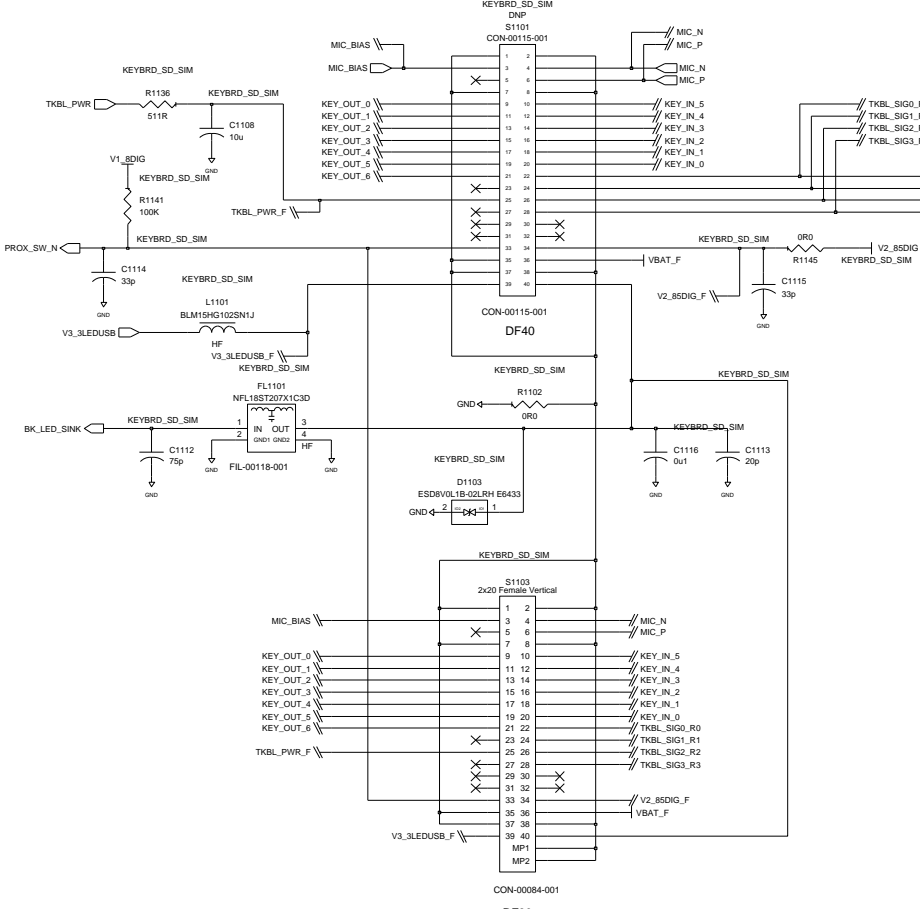
**\*WARNING EXPLOSIVE\***  
 FOLLOW MANUFACTURERS  
 ASSEMBLY/REWORK INSTRUCTIONS  
 DISCHARGE BEFORE REWORK  
 DO NOT OVERHEAT



RESEARCH IN MOTION CONFIDENTIAL

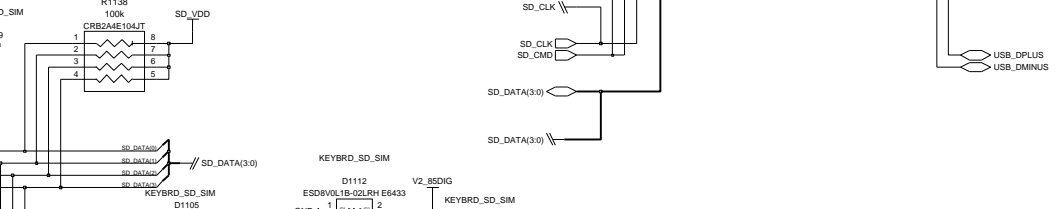
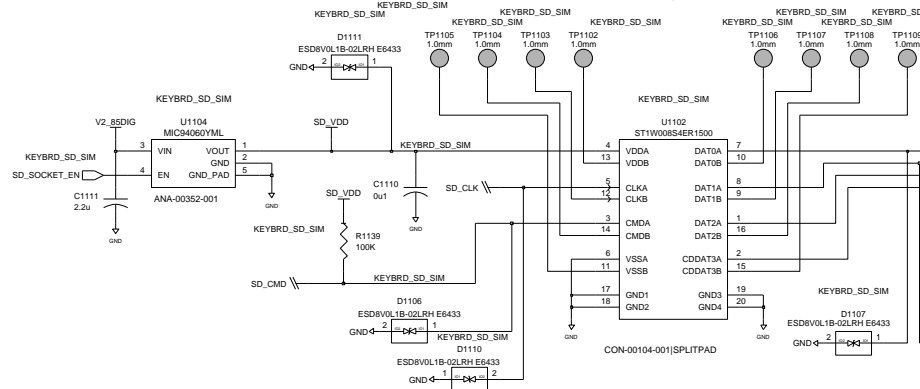
HIERARCHICAL BLOCK POWER		COPYRIGHT 2007, RESEARCH IN MOTION LIMITED 295 PHILLIP ST. WATERLOO, ONTARIO, CANADA PHONE: (519) 888-7465, FAX (519) 888-6306	
DRAWN BY Cameron Steeves		TITLE GammaRay	
R&D CHECK		(uses: PCB-12993-006) DF30 Populated	
MFG CHECK		SIZE DRAWING No. SCH-14115-006	
Edi Led By: blattamm		C	
Last Edt 1: Sep 14, 2007, 1:07:58 pm		REV 3	SHEET 10 OF 13

### KEYBOARD CONNECTOR DF30 POPULATED



MENTOR

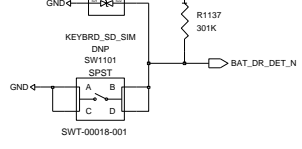
### TransFlash Memory Card

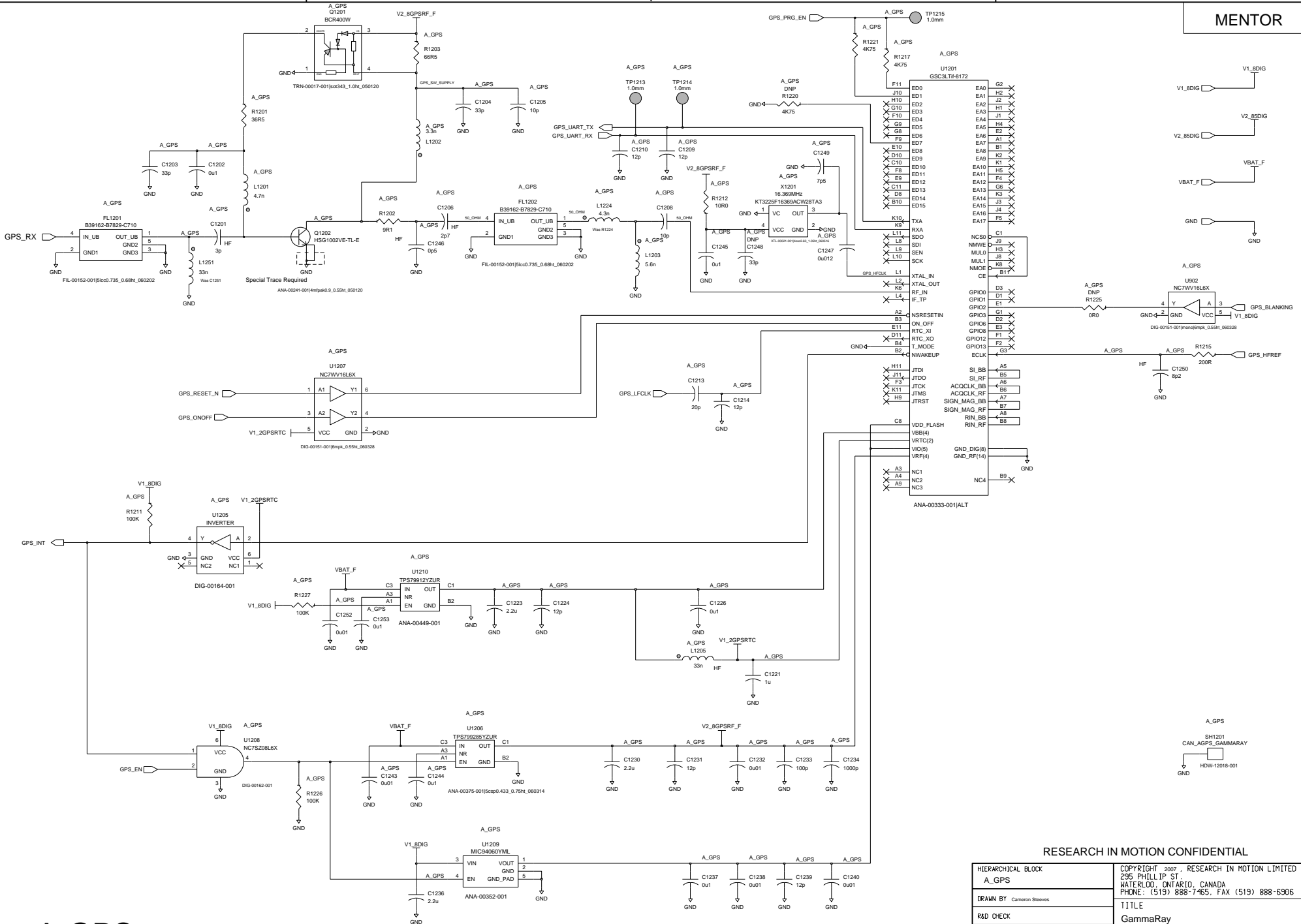


RESEARCH IN MOTION CONFIDENTIAL

HIERARCHICAL BLOCK KEYBRD_SD_SIM		COPYRIGHT 2007, RESEARCH IN MOTION LIMITED 295 PHILLIP ST. WATERLOO, ONTARIO, CANADA PHONE: (519) 888-7465, FAX (519) 888-6306	
DRAWN BY Cameron Steeves		TITLE GammaRay	
R&D CHECK		(uses: PCB-12993-006) DF30 Populated	
MFG CHECK		SIZE DRAWING No. SCH-14115-006	
Edi Led By: blattamm		C REV 3 SHEET 11 OF 13	
Last Ed1: Sep 14, 2007, 1:48:01 pm			

### Battery Door detect Switch

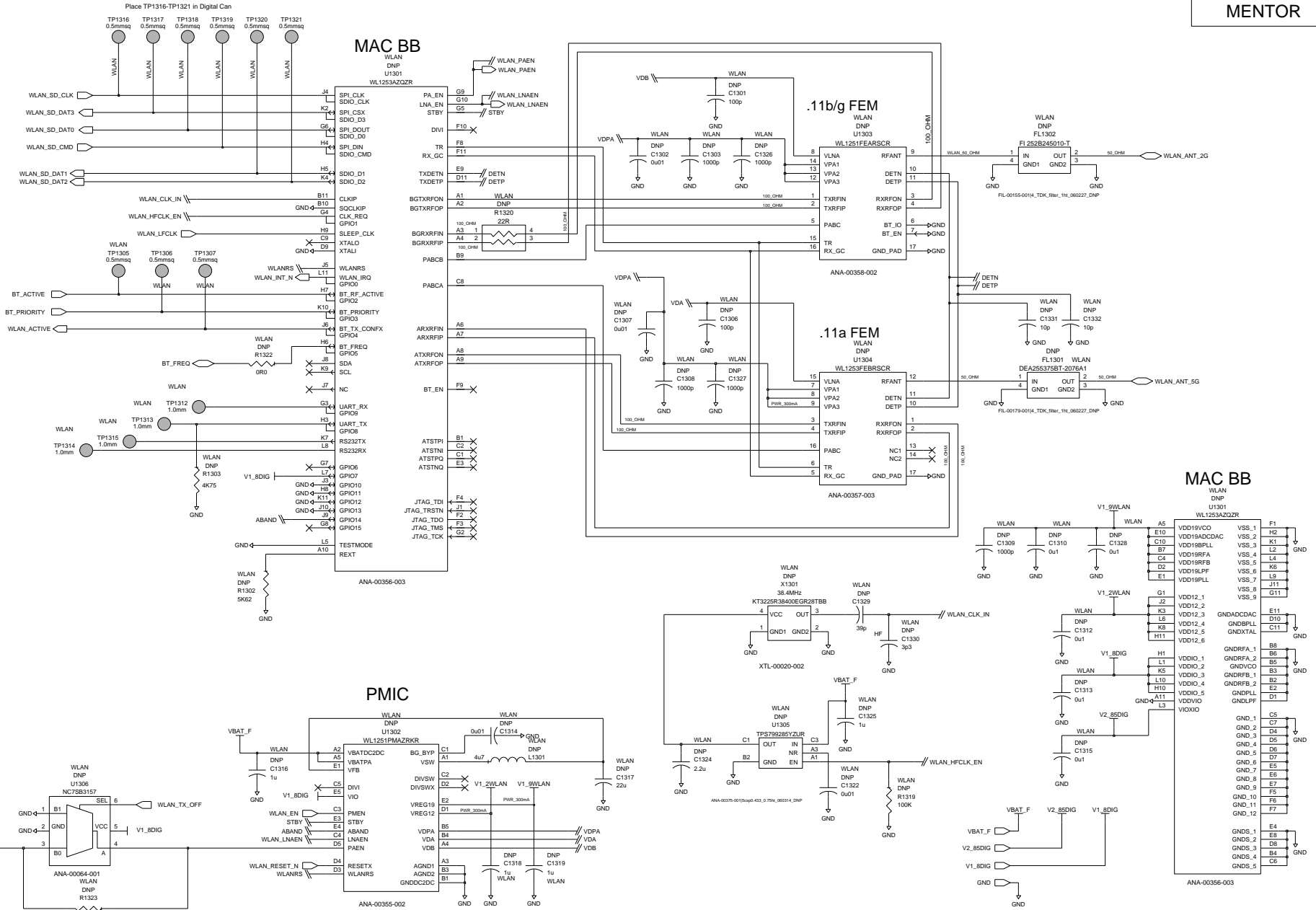




# A-GPS

RESEARCH IN MOTION CONFIDENTIAL

HIERARCHICAL BLOCK A_GPS	COPYRIGHT 2007, RESEARCH IN MOTION LIMITED 295 PHILLIP ST. WATERLOO, ONTARIO, CANADA PHONE: (519) 888-7465, FAX (519) 888-6306
DRAWN BY Cameron Steeves	TITLE GammaRay
R&D CHECK	(uses: PCB-12993-006) DF30 Populated
HFG CHECK	SIZE DRAWING No. SCH-14115-006
Edi Led Bu: blattamm	C REV 3 SHEET 12 OF 13
Level: Ed1: Sep 14, 2007, 11:40:46 am	



# WLAN

RESEARCH IN MOTION CONFIDENTIAL

HIERARCHICAL BLOCK WLAN		COPYRIGHT 2007, RESEARCH IN MOTION LIMITED 295 PHILLIP ST. WATERLOO, ONTARIO, CANADA PHONE: (519) 888-7465, FAX (519) 888-6306	
DRAWN BY Cameron Steeves		TITLE GammaRay	
R&D CHECK		(uses: PCB-12993-006) DF30 Populated	
MFG CHECK		SIZE DRAWING No. SCH-14115-006	
Edi Led By: blattamm		C	
Level Ed1: Sep 14, 2007, 11:49:09 am		REV 3 SHEET 13 OF 13	