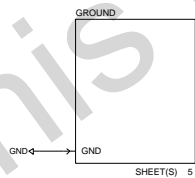
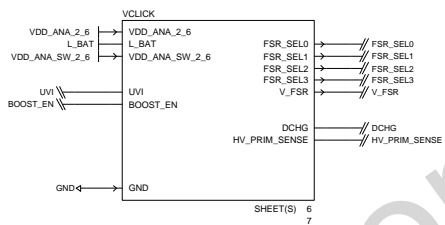
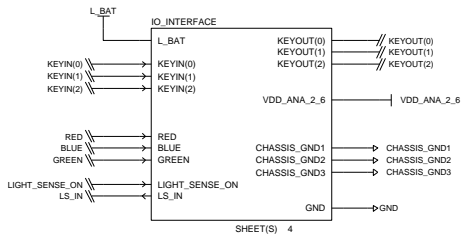
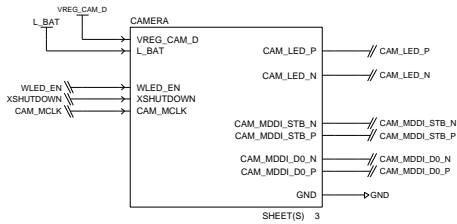
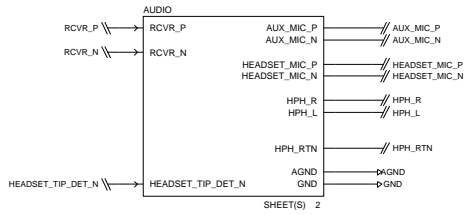
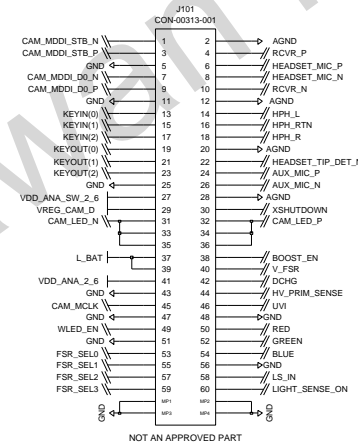


# CDMA VERSION



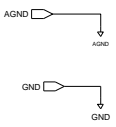
## CONNECTOR TO MAIN PCB



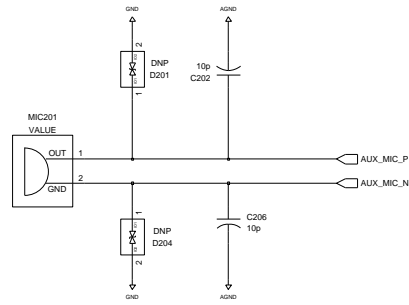
RESEARCH IN MOTION CONFIDENTIAL

HIERARCHICAL BLOCK MAIN	COPYRIGHT 2009, RESEARCH IN MOTION LIMITED 295 PHILLIP ST. WATERLOO, ONTARIO, CANADA PHONE: (519) 888-7465, FAX (519) 888-6306
DRAWN BY Louis Rodriguez	TITLE Odin, Main Flex (uses: PCB-26272-002)
R&D CHECK	SIZE DRAWING No. SCH-26273-002
MFG CHECK	C REV 0 SHEET 1 OF 7
Edi Led Bu: Irodru	
Level: Ed1: Jul 1, 2009, 12:54:14 pm	

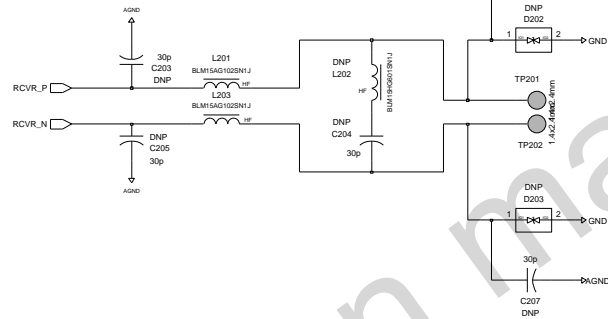
Copied from POP-26273-001 revE on May.13th, 2009  
 Updated with 001 revF ESD diode change on May.18th, 2009  
 Updated with 001 revG R618 change on June.2nd, 2009



### MICROPHONE



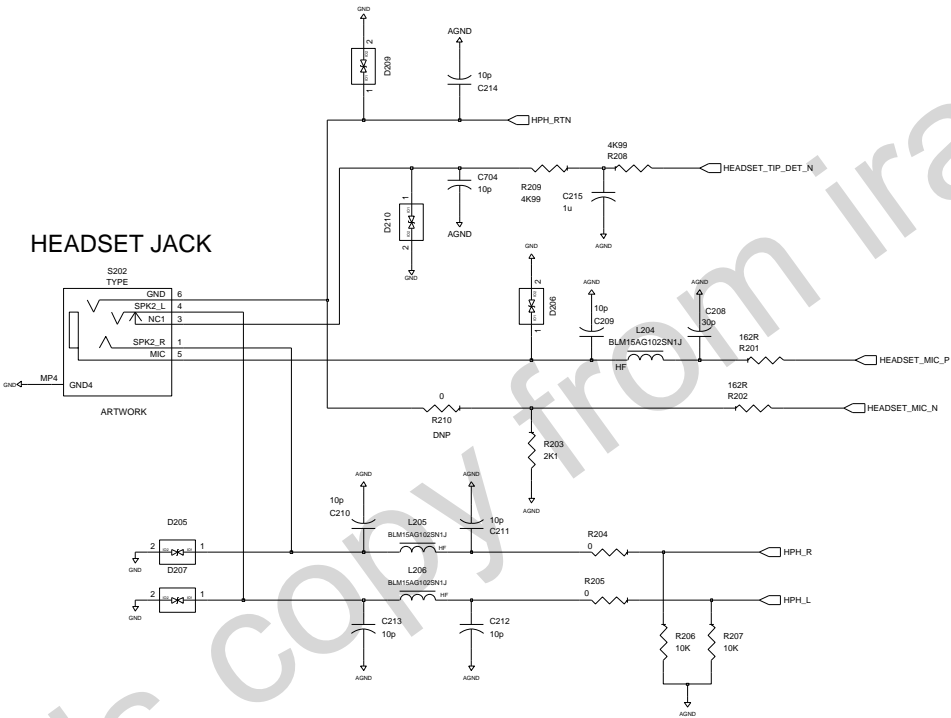
LAYOUT\_PLEASE PLACE ALL ESD DIODES AS CLOSE AS POSSIBLE TO MICROPHONE



### RECEIVER SPEAKER

LAYOUT\_PLEASE PLACE ALL ESD DIODES AS CLOSE AS POSSIBLE TO RECEIVER CONTACTS

### HEADSET JACK



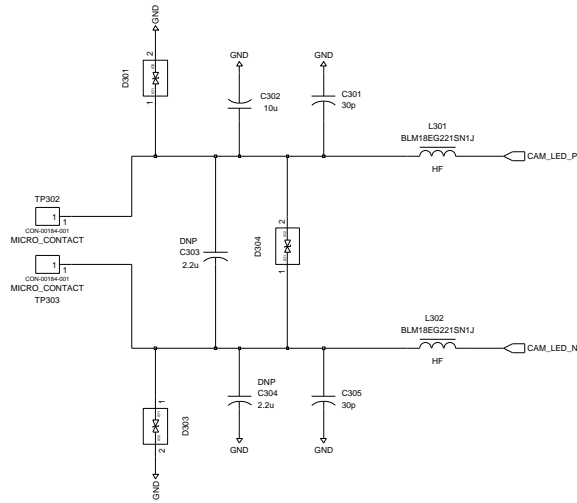
LAYOUT\_PLEASE PLACE ALL ESD DIODES AS CLOSE AS POSSIBLE TO HEADSET JACK

RESEARCH IN MOTION CONFIDENTIAL

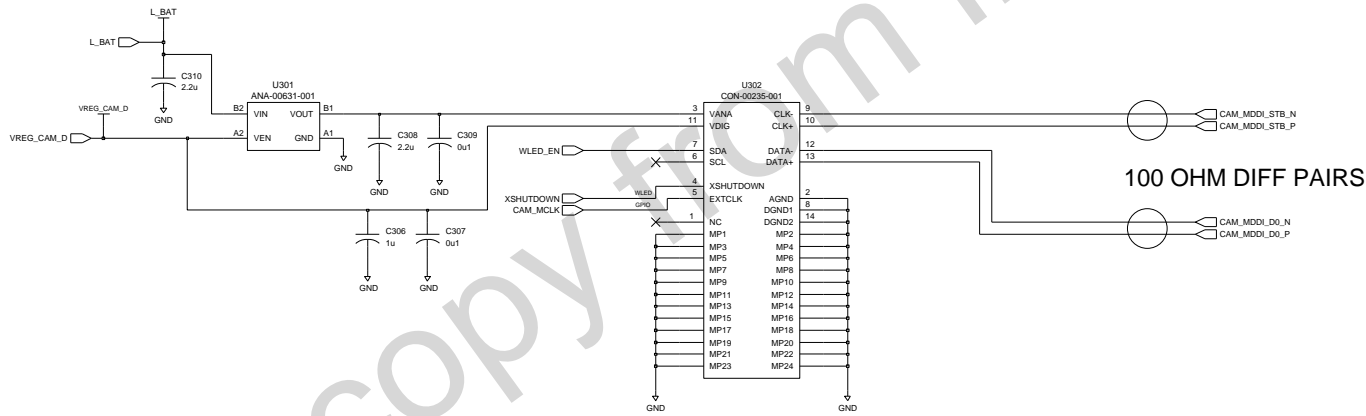
HIERARCHICAL BLOCK AUDIO		COPYRIGHT 2009, RESEARCH IN MOTION LIMITED 295 PHILLIP ST. WATERLOO, ONTARIO, CANADA PHONE: (519) 888-7465, FAX (519) 888-6306	
DRAWN BY: Louis Rodriguez		TITLE Odin, Main Flex	
R&D CHECK		(uses: PCB-26272-002)	
MFG CHECK		DRAWING No. SCH-26273-002	
Edi Led Bu: csteves		SIZE	
Last Ed:1 Jun 3, 2009, 4:14:28 pm		C REV 0 SHEET 2 OF 7	

PLACE ESD DIODES AS CLOSE TO CONTACTS AS POSSIBLE

Camera Flash  
Contact Pads



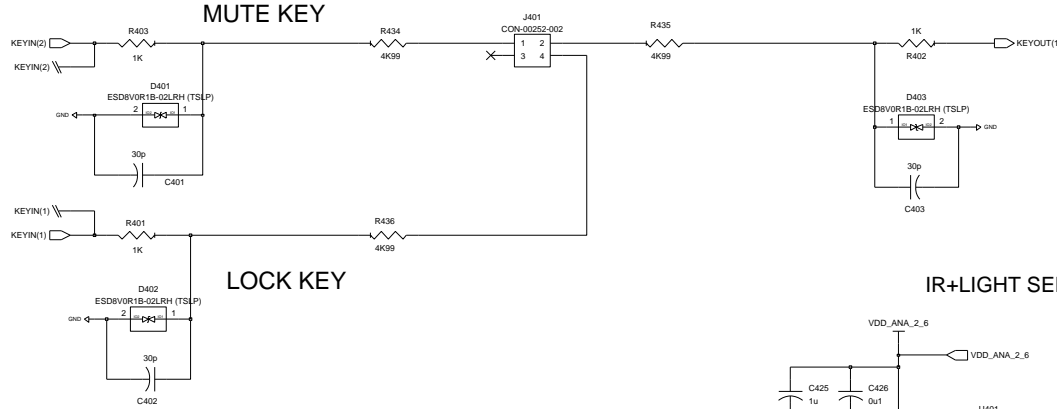
3.2MP Camera Flex



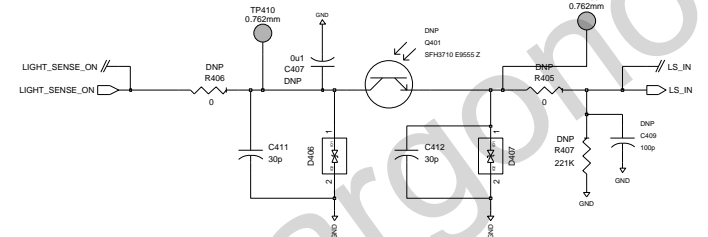
RESEARCH IN MOTION CONFIDENTIAL

HIERARCHICAL BLOCK CAMERA		COPYRIGHT 2009, RESEARCH IN MOTION LIMITED 295 PHILLIP ST. WATERLOO, ONTARIO, CANADA PHONE: (519) 888-7465, FAX (519) 888-6306	
DRAWN BY: Louis Rodriguez		TITLE Odin, Main Flex	
R&D CHECK		(uses: PCB-26272-002)	
MFG CHECK		DRAWING No. SCH-26273-002	
Edi Led Bu: csteaves		SIZE C	
Last Ed: 1 Jun 3, 2009, 4:14:32 pm		REV 0 SHEET 3 OF 7	

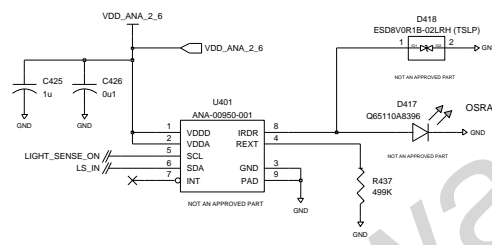
TOP KEY CONNECTOR



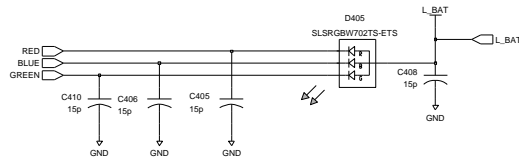
LIGHT SENSOR



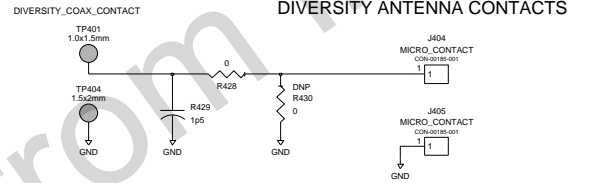
IR+LIGHT SENSOR



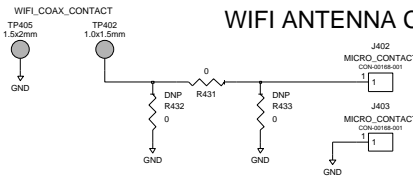
TRI-COLOR LED



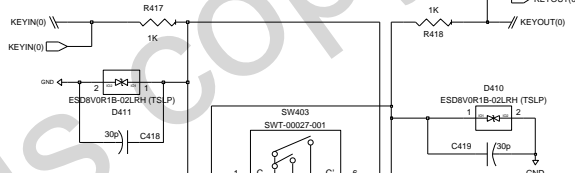
DIVERSITY ANTENNA CONTACTS



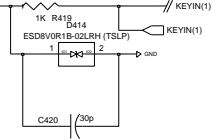
WIFI ANTENNA CONTACTS



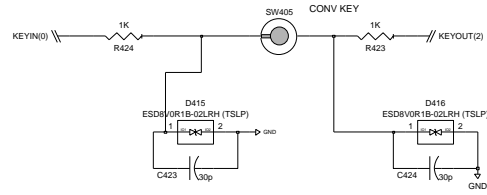
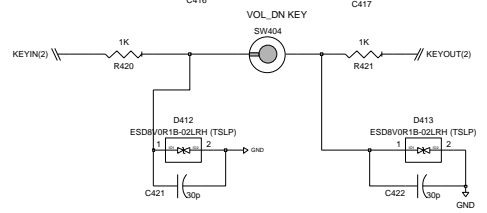
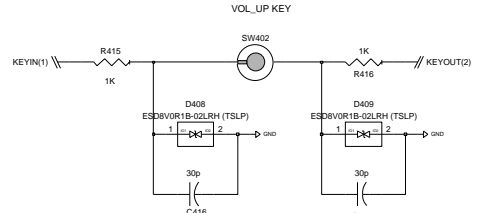
Camera\_click



Camera\_focus

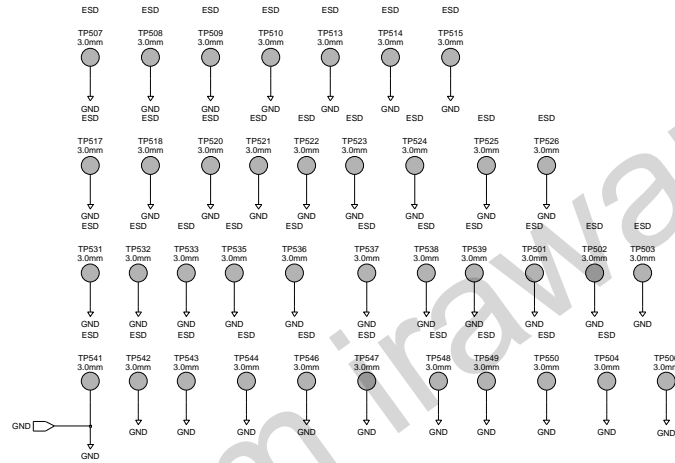


Camera Dual Action Key



RESEARCH IN MOTION CONFIDENTIAL

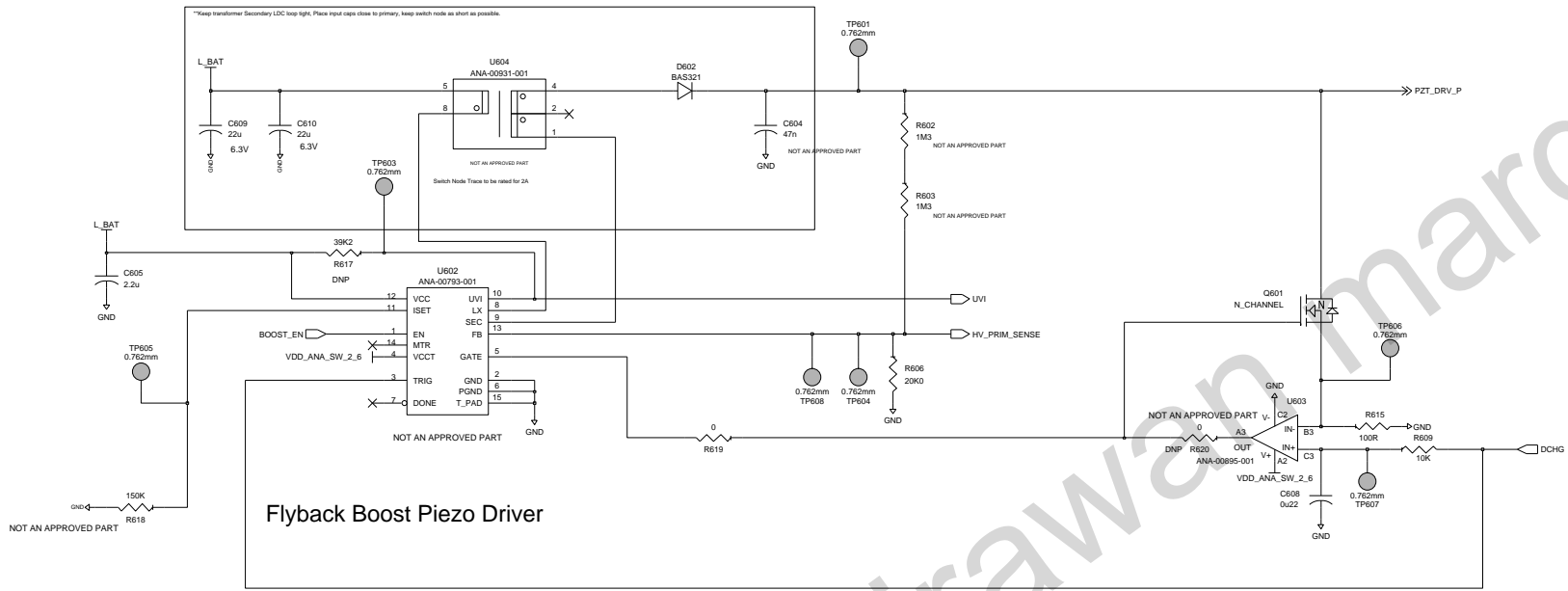
HIERARCHICAL BLOCK IO INTERFACE		COPYRIGHT 2009, RESEARCH IN MOTION LIMITED 295 PHILLIP ST. WATERLOO, ONTARIO, CANADA PHONE: (519) 888-7465, FAX (519) 888-6306	
DRAWN BY Louis Rodriguez		TITLE Odin, Main Flex	
R&D CHECK		(uses: PCB-26272-002)	
MFG CHECK		SIZE DRAWING No. SCH-26273-002	
Edi Led Bu: Irodigu		C REV 0	
Level: Ed1: Jul 1, 2009, 12:48:32 pm		SHEET 4 OF 7	



RESEARCH IN MOTION CONFIDENTIAL

HIERARCHICAL BLOCK GROUND		COPYRIGHT 2009, RESEARCH IN MOTION LIMITED 295 PHILLIP ST. WATERLOO, ONTARIO, CANADA PHONE: (519) 888-7465, FAX (519) 888-6306	
DRAWN BY: Louis Rodriguez		TITLE Odin, Main Flex	
R&D CHECK		(uses: PCB-26272-002)	
MFG CHECK		SIZE	
Edi Led By: csteves		DRAWING No. SCH-26273-002	
Level: Ed14: Mar 13, 2009, 1:48:38 pm		C	REV 0 SHEET 5 OF 7

This copy from irawan margono



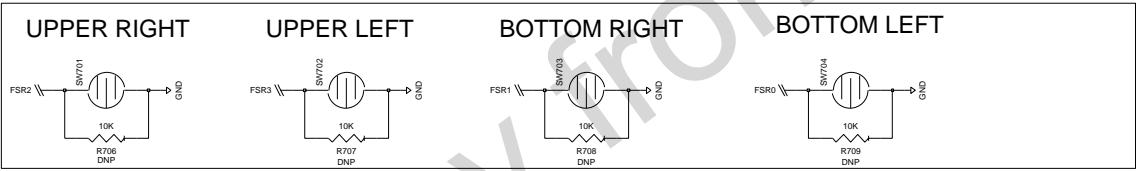
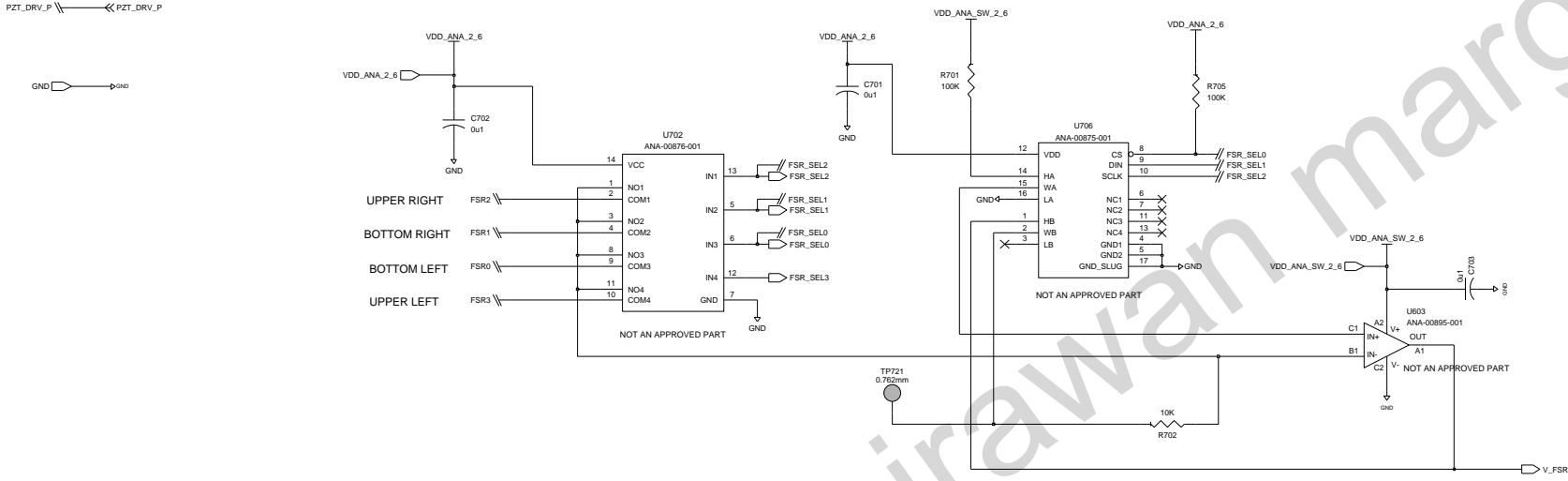
Flyback Boost Piezo Driver

Discharge Current Control

RESEARCH IN MOTION CONFIDENTIAL

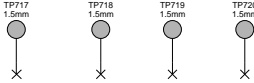
HIERARCHICAL BLOCK VCLICK		COPYRIGHT 2009, RESEARCH IN MOTION LIMITED 295 PHILLIP ST. WATERLOO, ONTARIO, CANADA PHONE: (519) 888-7465, FAX (519) 888-6306	
DRAWN BY: Louis Rodriguez		TITLE Odin, Main Flex (uses: PCB-26272-002)	
R&D CHECK		SIZE DRAWING No. SCH-26273-002	
MFG CHECK		C REV 0 SHEET 6 OF 7	
Edi Led Bu: Irodigu			
Level Ed14: Jul 1, 2009, 12:51:47 pm			

This copy from irawen margono

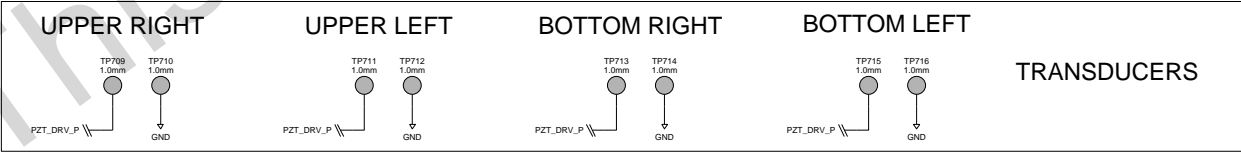


SENSOR  
FLEX  
PATTERNS

PIEZO FIDUCIAL MARKS



STANDARD POLARITY PIEZOS



TRANSDUCERS

RESEARCH IN MOTION CONFIDENTIAL

HIERARCHICAL BLOCK VCLICK2		COPYRIGHT 2009, RESEARCH IN MOTION LIMITED 295 PHILLIP ST. WATERLOO, ONTARIO, CANADA PHONE: (519) 888-7465, FAX (519) 888-6306	
DRAWN BY: Louis Rodriguez		TITLE Odin, Main Flex	
R&D CHECK		(uses: PCB-26272-002)	
MFG CHECK		SIZE DRAWING No. SCH-26273-002	
Edi Led Bu: Irodigu		C REV 0	
Level: Ed14: Jun 5, 2009, 5:10:22 pm		SHEET 7 OF 7	