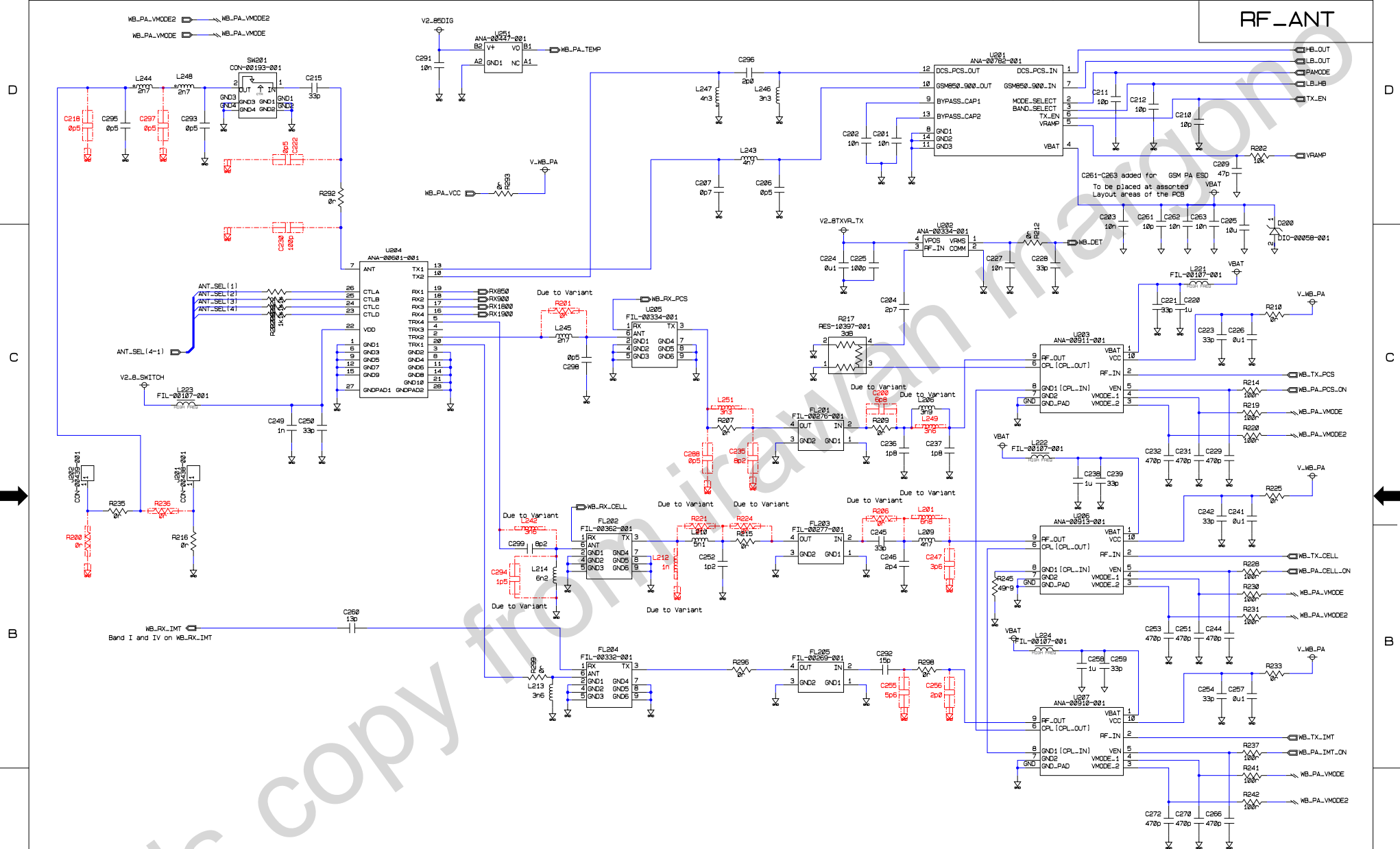


| Sheet | Ref. |
|--------------|------|
| TOP | |
| RF_ANT | 2XX |
| AFE_TX | 3XX |
| WB_AFE | 4XX |
| WB_AFE2 | 5XX |
| A-GPS | 6XX |
| AUDIO | 7XX |
| Camera | 8XX |
| POWER | 9XX |
| POWER2 | 10XX |
| IOInterface | 11XX |
| BT_WLAN | 12XX |
| TAVOR_GPIO | 13XX |
| TAVOR_MEM | 14XX |
| TAVOR_SERV | 15XX |
| TAVOR_POW | 16XX |
| USERINTERF 1 | 17XX |
| USERINTERF2 | 18XX |

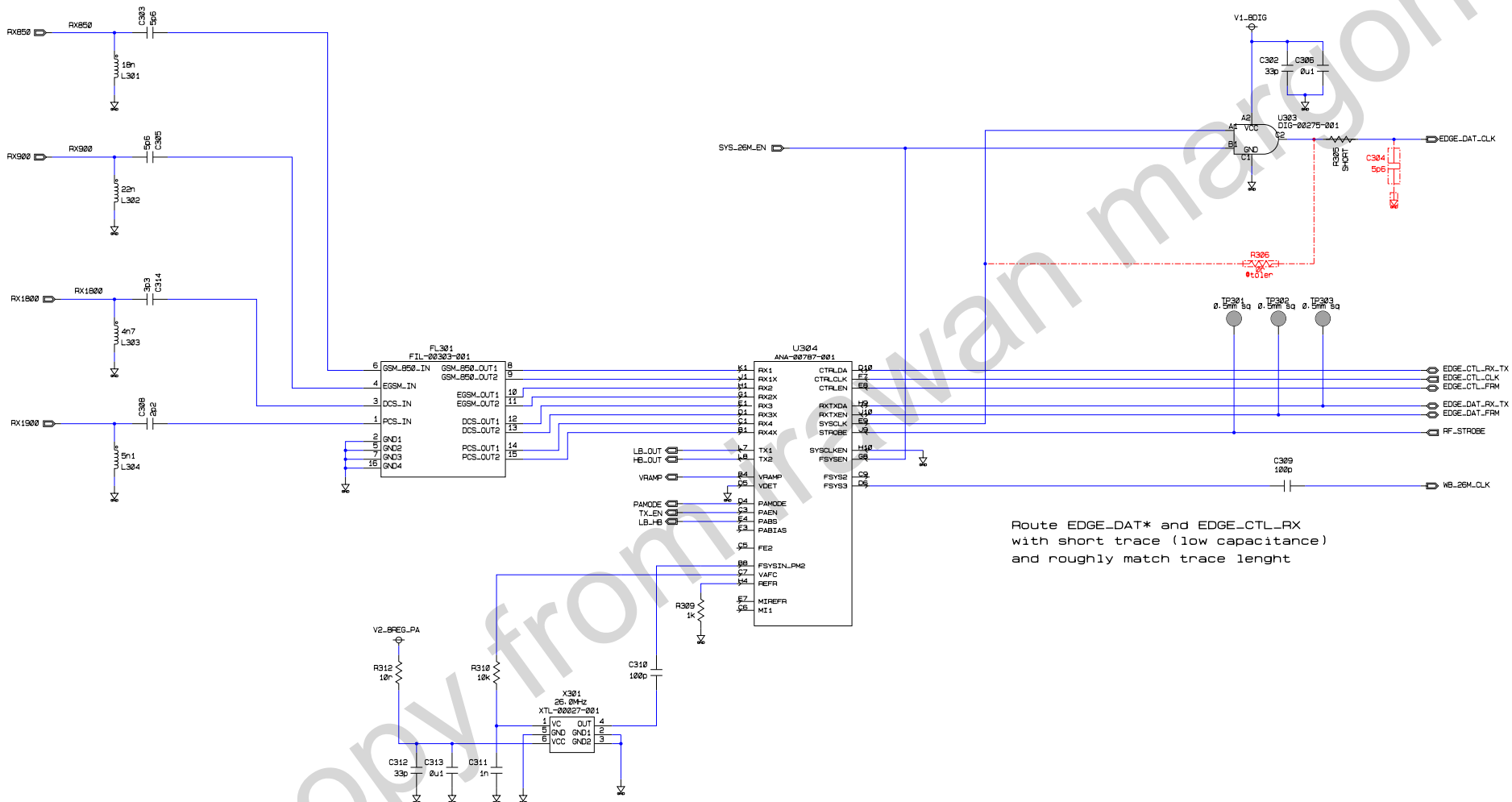
| RESEARCH IN MOTION CONFIDENTIAL | |
|---------------------------------|--|
| HIERARCHICAL BLOCK | COPYRIGHT 2010 RESEARCH IN MOTION LIMITED 295 PHILLIP ST. WATERLOO, ONTARIO CANADA |
| DRAWN BY: L. Stamm | PHONE (519) 888-7465 FAX (519) 888-6986 |
| RWD CHECK: M. Buchmann | TITLE Stratus Band (125/6) |
| MFG CHECK: | Uses PCB-24561-013 |
| EDITED BY: mbuchmann | SIZE DRAWING No. SCH-24562-013 |
| LAST EDIT: 2010/11/23 14:00:57 | REV 2 SHEET 1 of 18 |

RF_ANT



| RESEARCH IN MOTION CONFIDENTIAL | |
|---------------------------------|---|
| HIERARCHICAL BLOCK | COPYRIGHT 2010 RESEARCH IN MOTION LIMITED 295 PHILIP ST. WATERLOO, ONTARIO CANADA |
| DRAWN BY: L. Stamm | PHONE (519) 888-7465- FAX (519) 888-6986 |
| RMD CHECK: M. Buchmann | TITLE Stratus Band (125/6) |
| MFG CHECK: | Uses PCB-24561-013 |
| EDITED BY: jschlunder | SIZE: DRAWING No. SCH-24562-013 |
| LAST EDIT: 2010/10/18 08:43:26 | REV 2 SHEET 2 of 18 |

AFE_TX

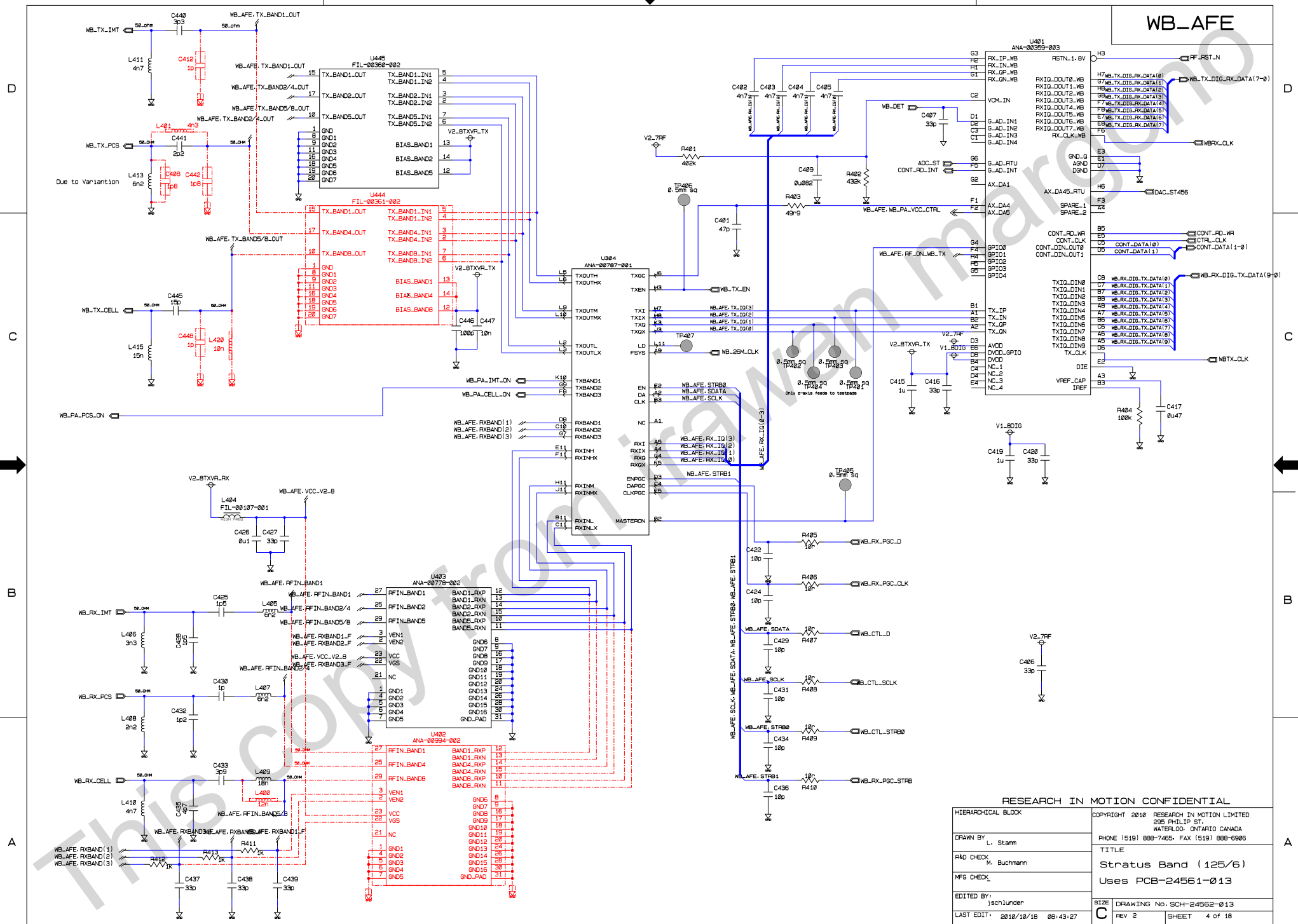


Route EDGE_DAT* and EDGE_CTL_RX with short trace (low capacitance) and roughly match trace length

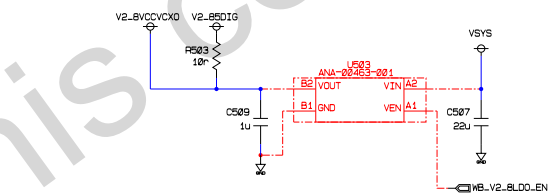
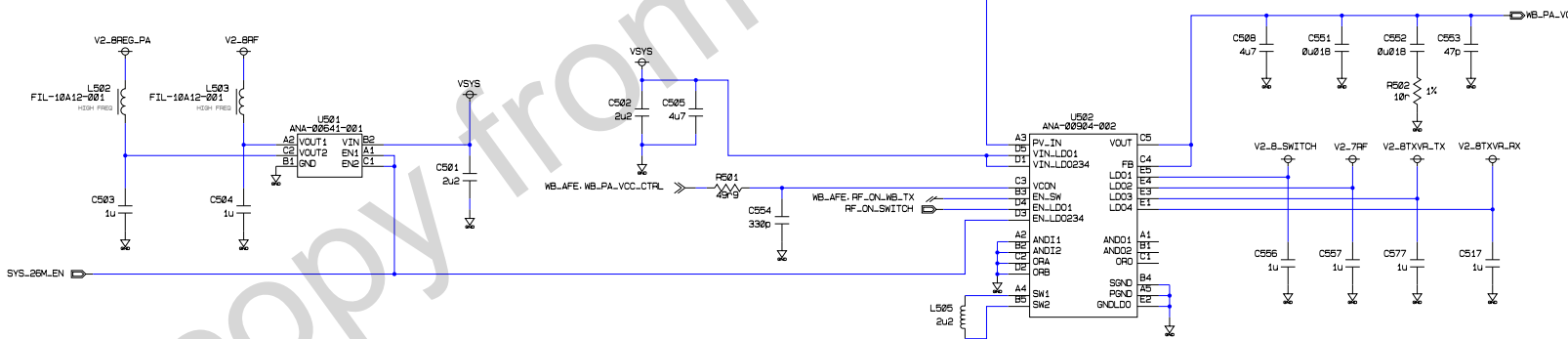
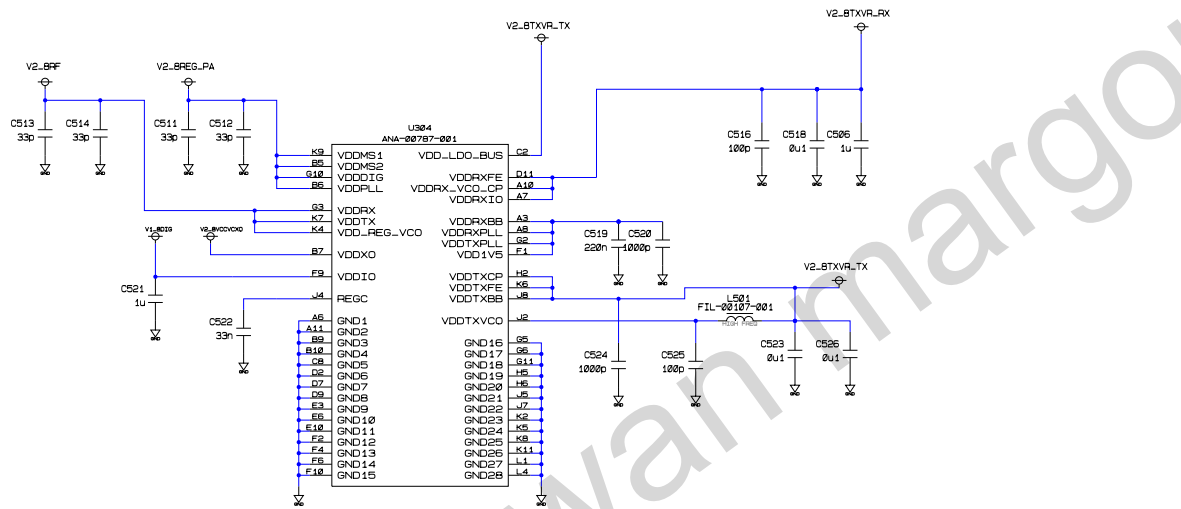
RESEARCH IN MOTION CONFIDENTIAL

| | |
|--------------------------------|---|
| HIERARCHICAL BLOCK | COPYRIGHT 2010 RESEARCH IN MOTION LIMITED 235 PHILIP ST. WATERLOO, ONTARIO CANADA |
| DRAWN BY: L. Stamm | PHONE (519) 888-7465 FAX (519) 888-6986 |
| RMD CHECK: M. Buchmann | TITLE Stratus Band (125/6) |
| MFG CHECK: | Uses PCB-24561-013 |
| EDITED BY: mbuchmann | SIZE DRAWING No. SCH-24562-013 |
| LAST EDIT: 2010/10/18 08:43:26 | REV 2 SHEET 3 of 18 |

WB_AFE

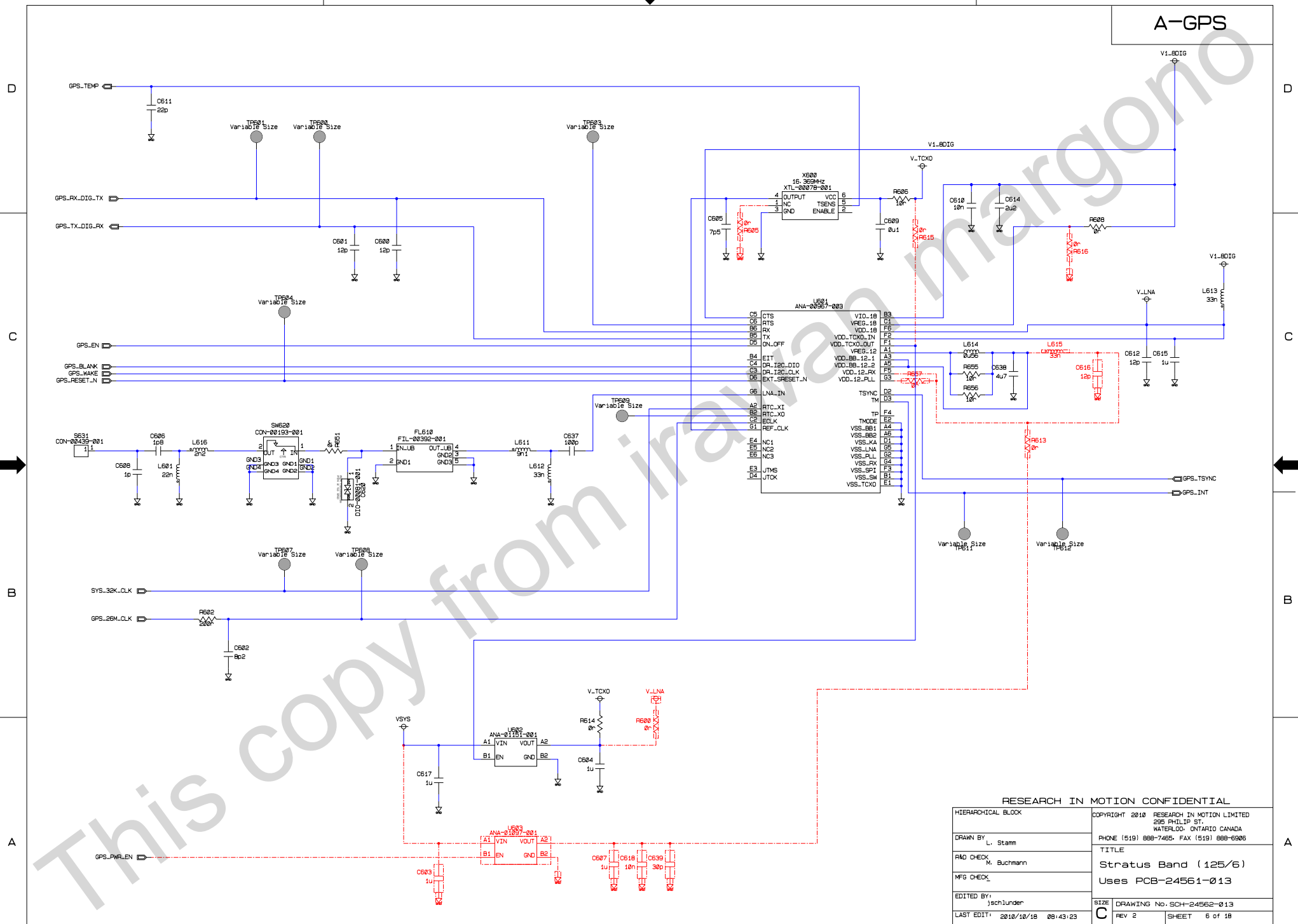


| RESEARCH IN MOTION CONFIDENTIAL | |
|---------------------------------|---|
| HIERARCHICAL_BLOCK | COPYRIGHT 2010 RESEARCH IN MOTION LIMITED 295 PHILIP ST. WATERLOO, ONTARIO CANADA |
| DRAWN BY | L. Stamm |
| RMD CHECK | M. Buchmann |
| MFG CHECK | |
| EDITED BY | jschlunder |
| LAST EDIT | 2010/10/18 08:43:27 |
| TITLE | Stratus Band (125/6) Uses PCB-24561-013 |
| SIZE | DRAWING No. SCH-24562-013 |
| REV | 2 |
| SHEET | 4 of 18 |

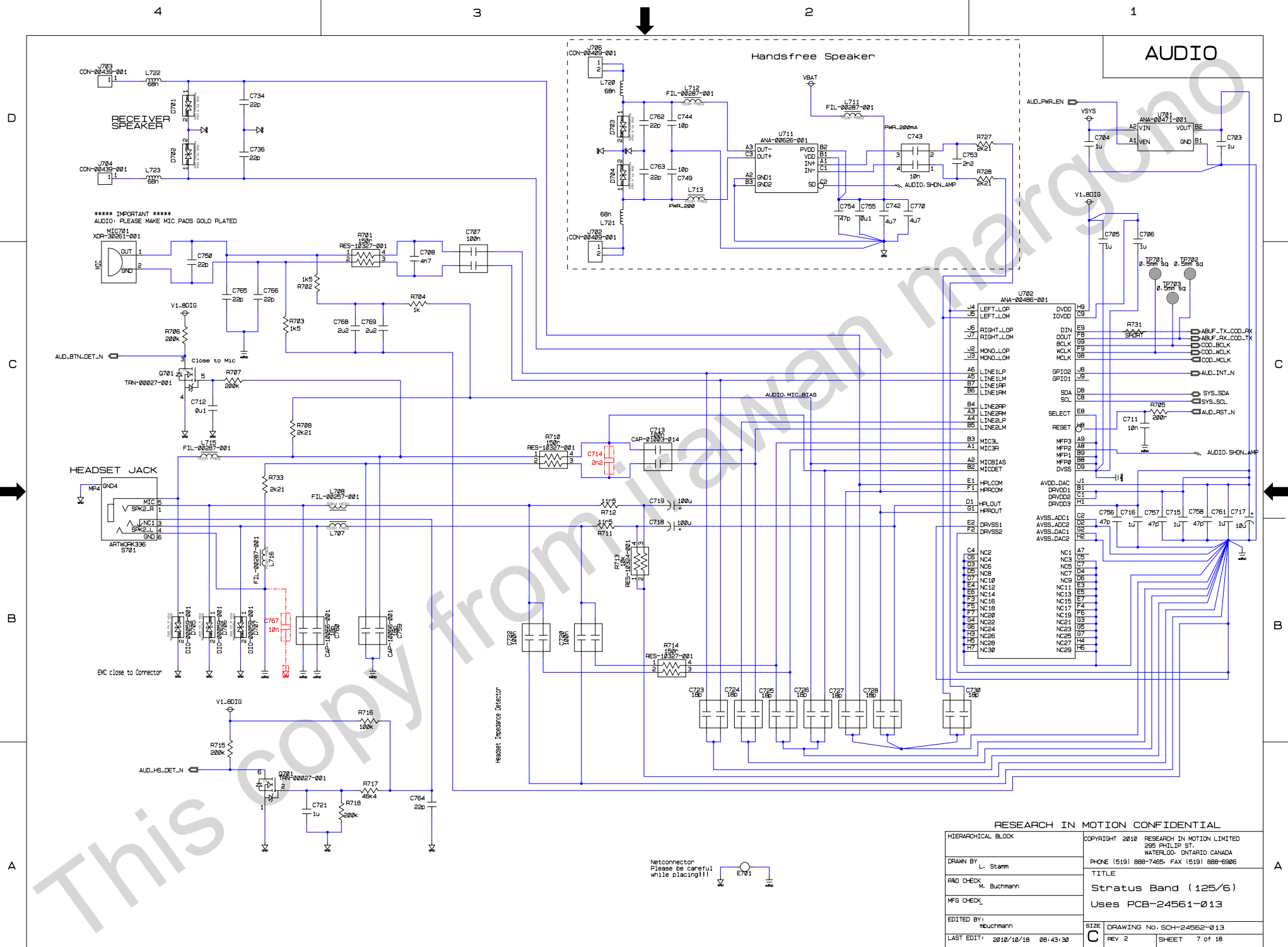


| | | |
|---------------------------------|--|---------------------------|
| RESEARCH IN MOTION CONFIDENTIAL | | |
| HIERARCHICAL BLOCK | COPYRIGHT 2010 RESEARCH IN MOTION LIMITED 295 PHILLIP ST. WATERLOO, ONTARIO CANADA | |
| DRAWN BY: L. Stamm | PHONE (519) 880-7465, FAX (519) 880-6906 | |
| R&D CHECK: M. Buchmann | TITLE Stratus Band (125/6) | |
| MFG CHECK: | Uses PCB-24561-013 | |
| EDITED BY: meuchmann | SIZE: C | DRAWING No. SCH-24562-013 |
| LAST EDIT: 2010/10/18 08:43:27 | REV 2 | SHEET 5 of 18 |

A-GPS



| RESEARCH IN MOTION CONFIDENTIAL | |
|---------------------------------|--|
| HIERARCHICAL BLOCK | COPYRIGHT 2010 RESEARCH IN MOTION LIMITED 295 PHILIP ST. WATERLOO, ONTARIO CANADA PHONE (519) 888-7465 FAX (519) 888-6906 |
| DRAWN BY: L. Stamm | TITLE Stratus Band (125/6) Uses PCB-24561-013 |
| RMD CHECK: M. Buchmann | SIZE: C |
| MFG CHECK: | DRAWING No. SCH-24562-013 |
| EDITED BY: jschlunder | REV 2 |
| LAST EDIT: 2012/10/18 08:43:23 | SHEET 6 of 18 |

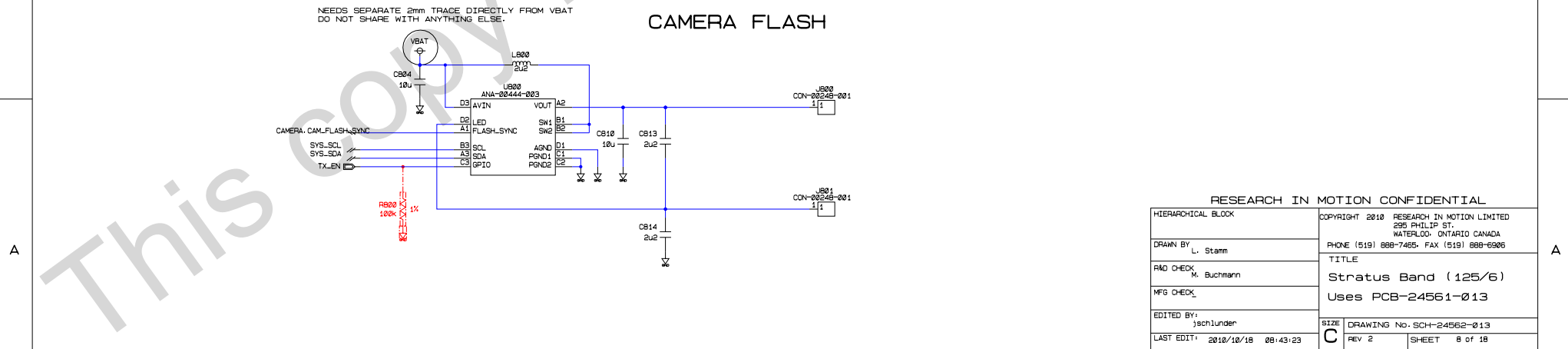
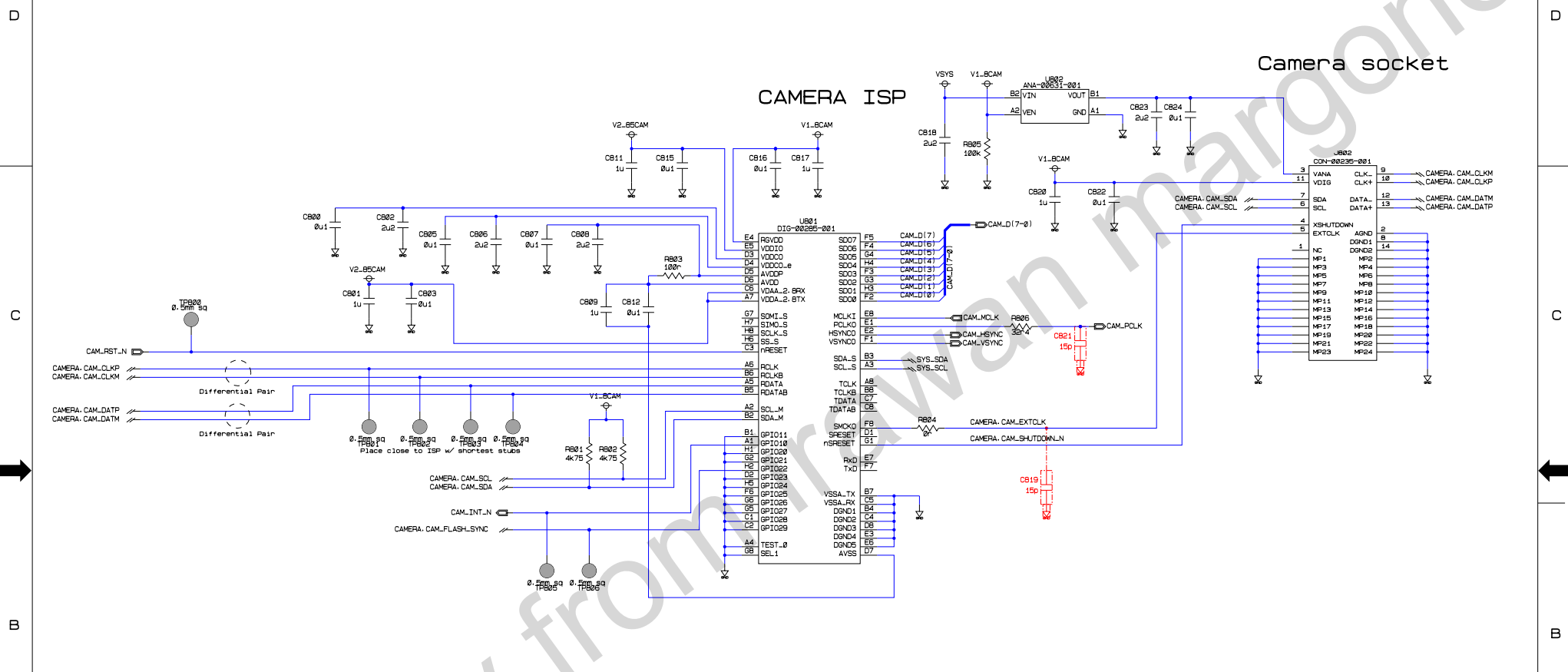


RESEARCH IN MOTION CONFIDENTIAL

| | |
|--------------------------------|--|
| HIERARCHICAL BLOCK | COPYRIGHT 2010 RESEARCH IN MOTION LIMITED 295 PHILLIP ST. WATERLOO, ONTARIO CANADA PHONE (519) 888-7465, FAX (519) 888-6906 |
| DRAWN BY: L. Stamm | TITLE Stratus Band (125/6) |
| RMD CHECK: M. Buchmann | Uses PCB-24561-013 |
| MFG CHECK: | |
| EDITED BY: meuchmann | SIZE: DRAWING No. SCH-24562-013 |
| LAST EDIT: 2010/10/18 08:43:30 | REV 2 SHEET 7 of 18 |

CAMERA

SYS_SDA \rightarrow SYS_SDA
 SYS_SCL \rightarrow SYS_SCL

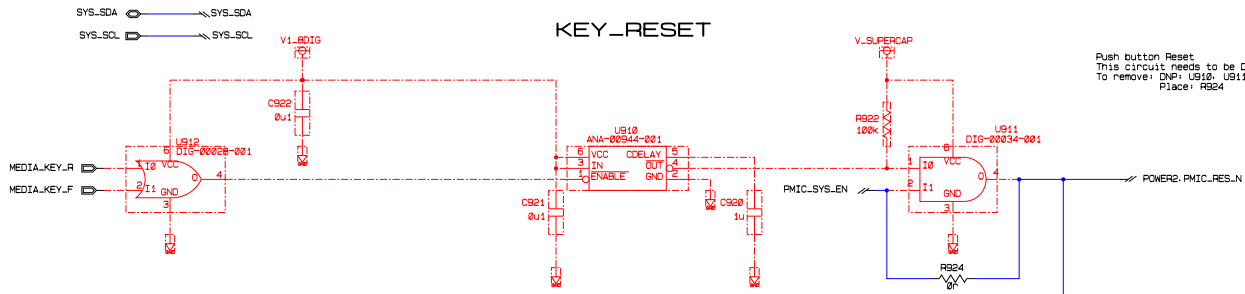


RESEARCH IN MOTION CONFIDENTIAL

| | |
|--------------------------------|--|
| HIERARCHICAL BLOCK | COPYRIGHT 2010 RESEARCH IN MOTION LIMITED 295 PHILLIP ST. WATERLOO, ONTARIO CANADA |
| DRAWN BY: L. Stamm | PHONE (519) 888-7465 FAX (519) 888-6906 |
| RMD CHECK: M. Buchmann | TITLE Stratus Band (125/6) |
| MFG CHECK: | Uses PCB-24561-013 |
| EDITED BY: jschlunder | SIZE: DRAWING No. SCH-24562-013 |
| LAST EDIT: 2010/10/18 08:43:23 | REV 2 SHEET 8 of 18 |

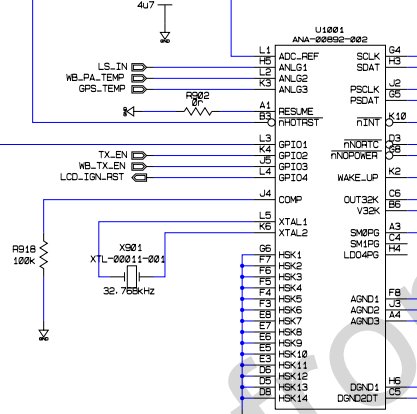
KEY_RESET

Push button Reset
This circuit needs to be DNPed for externally released units.
To remove: DNP: U910, U911, R922, C920, C921, C922.
Place: R924



Fuel Gauge

BqHuge



For JTAG

RESEARCH IN MOTION CONFIDENTIAL

| | |
|--------------------------------|---|
| HIERARCHICAL BLOCK | COPYRIGHT 2010 RESEARCH IN MOTION LIMITED 295 PHILIP ST. WATERLOO, ONTARIO CANADA |
| DRAWN BY: L. Stamm | PHONE (519) 888-7465- FAX (519) 888-6906 |
| RND CHECK: M. Buchmann | TITLE Stratus Band (125/6) |
| MFG CHECK: | Uses PCB-24561-013 |
| EDITED BY: meuchmann | SIZE DRAWING No. SCH-24562-013 |
| LAST EDIT: 2010/10/18 08:43:29 | REV 2 SHEET 9 of 18 |

D

C

B

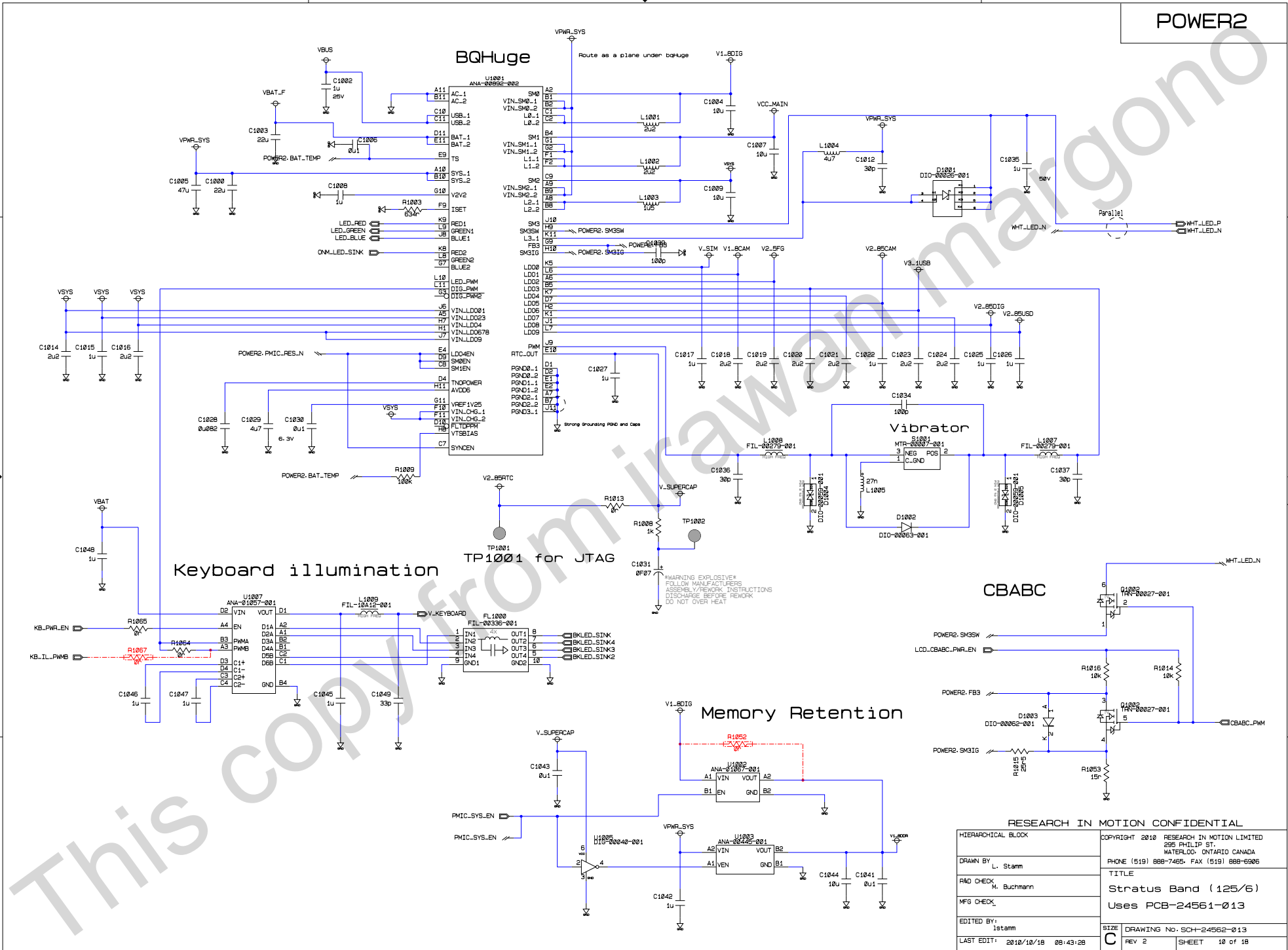
A

D

C

B

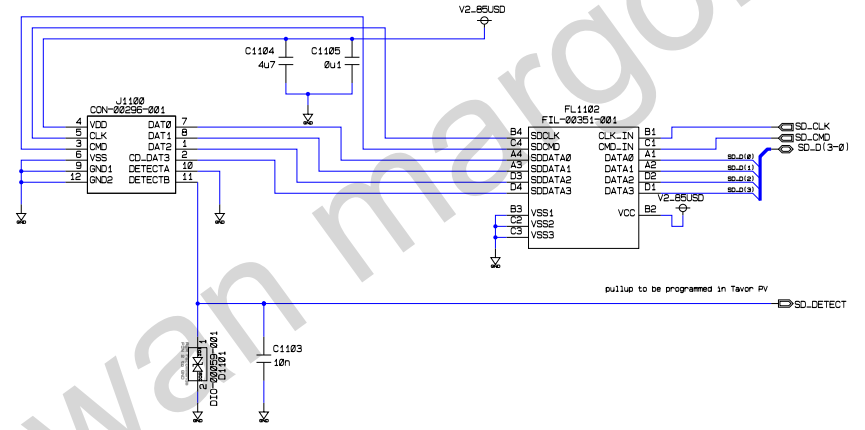
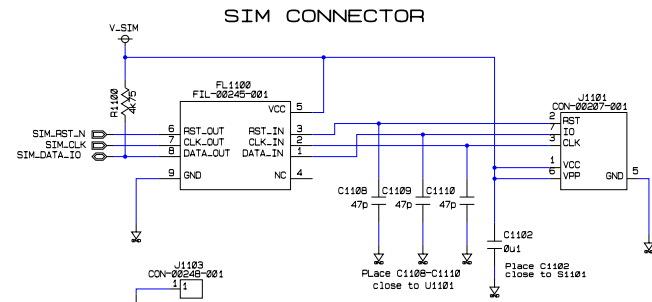
A



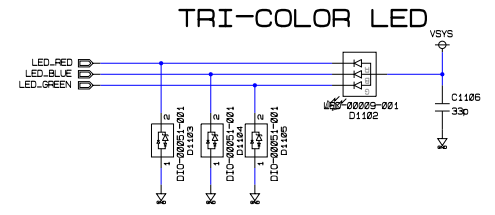
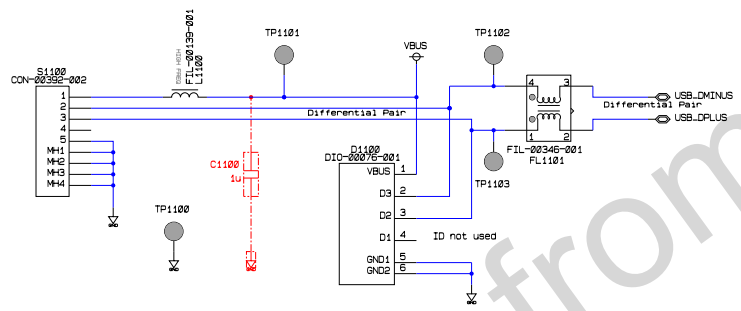
RESEARCH IN MOTION CONFIDENTIAL

| | |
|--------------------------------|--|
| HIERARCHICAL BLOCK | COPYRIGHT 2010 RESEARCH IN MOTION LIMITED 295 PHILLIP ST. WATERLOO, ONTARIO CANADA |
| DRAWN BY: L. Stamm | PHONE (519) 888-7465, FAX (519) 888-6906 |
| RMD CHECK: M. Buchmann | TITLE Stratus Band (125/6) |
| MFG CHECK: | Uses PCB-24561-013 |
| EDITED BY: lstamm | SIZE DRAWING No. SCH-24562-013 |
| LAST EDIT: 2010/10/18 08:43:28 | REV 2 SHEET 10 of 18 |

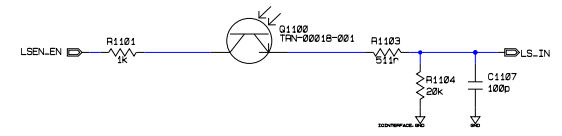
IOINTERFACE



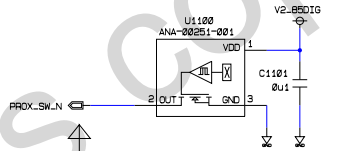
CHARGE/USB CONNECTOR



LIGHT SENSOR



PROXIMITY SENSOR

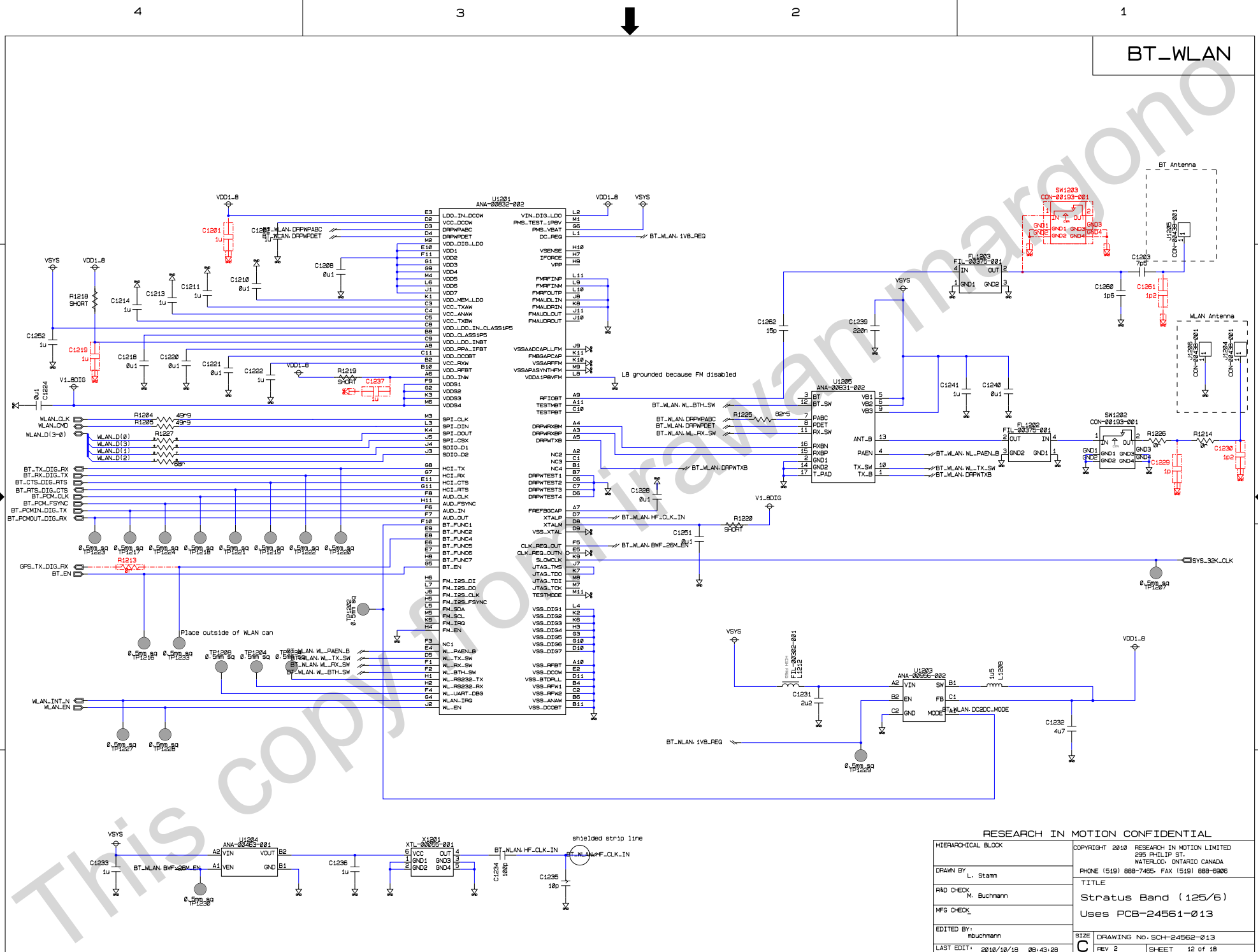


pullup to be programmed in Tavor PV

RESEARCH IN MOTION CONFIDENTIAL

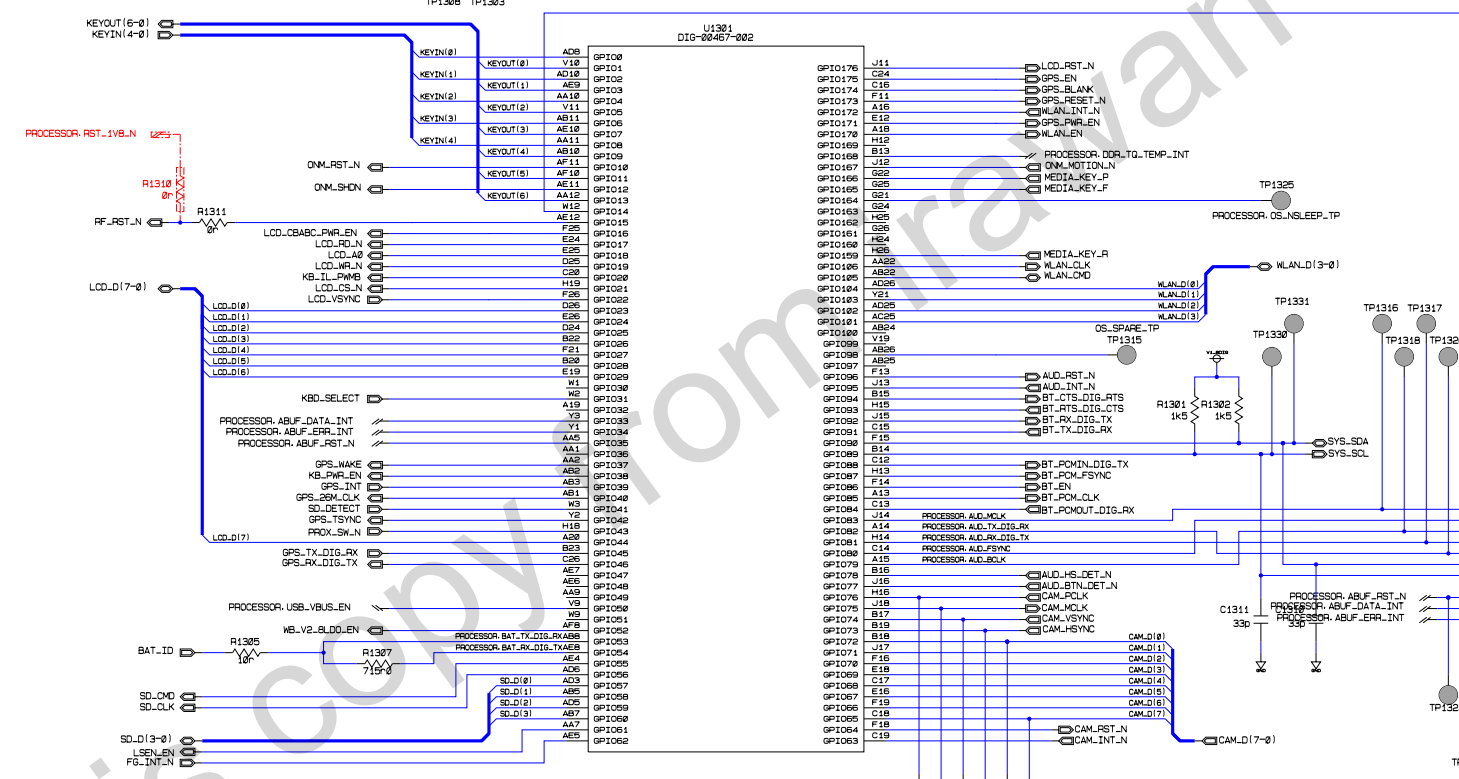
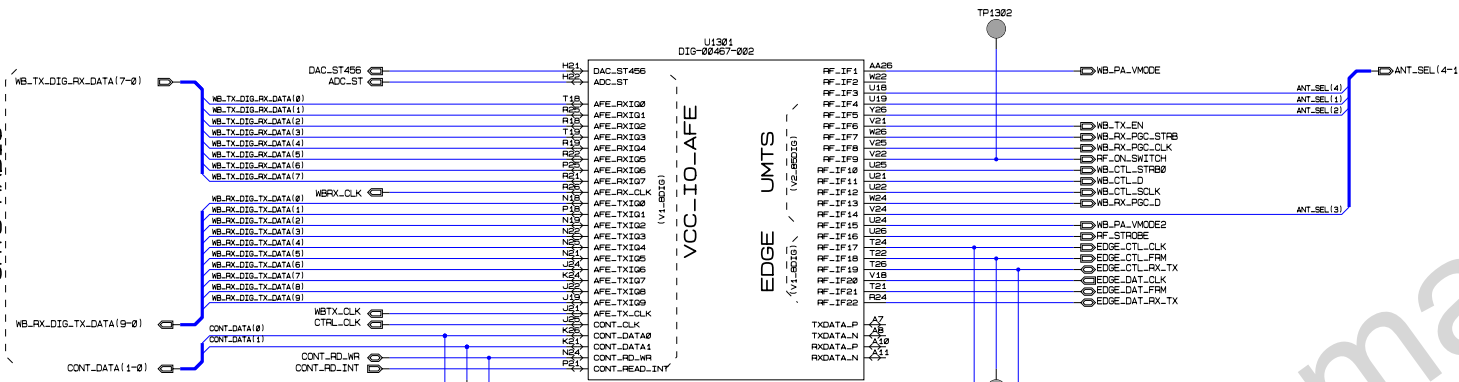
| | |
|--------------------------------|---|
| HIERARCHICAL BLOCK | COPYRIGHT 2010 RESEARCH IN MOTION LIMITED 295 PHILIP ST. WATERLOO, ONTARIO CANADA |
| DRAWN BY: L. Stamm | PHONE (519) 888-7465 FAX (519) 888-6906 |
| RND CHECK: M. Buchmann | TITLE Stratus Band (125/6) |
| MFG CHECK: | Uses PCB-24561-013 |
| EDITED BY: meuchmann | SIZE DRAWING No. SCH-24562-013 |
| LAST EDIT: 2010/10/18 08:43:29 | REV 2 SHEET 11 of 18 |

BT_WLAN



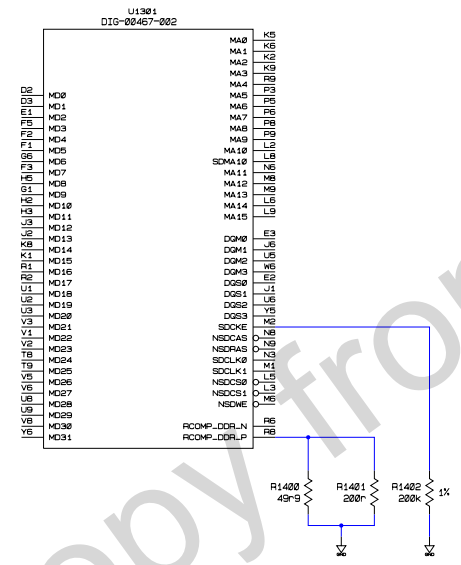
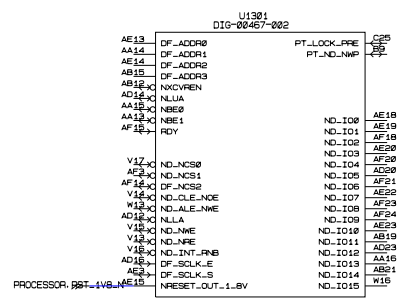
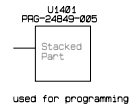
| RESEARCH IN MOTION CONFIDENTIAL | | |
|---------------------------------|--|---------------------------|
| HIERARCHICAL BLOCK | COPYRIGHT 2010 RESEARCH IN MOTION LIMITED 295 PHILLIP ST. WATERLOO, ONTARIO CANADA | |
| DRAWN BY: L. Stamm | PHONE (519) 888-7465, FAX (519) 888-6986 | |
| RMD CHECK: M. Buchmann | TITLE Stratus Band (125/6) | |
| MFG CHECK: | Uses PCB-24561-013 | |
| EDITED BY: mbuchmann | SIZE | DRAWING No. SCH-24562-013 |
| LAST EDIT: 2010/10/18 08:43:28 | REV 2 | SHEET 12 of 18 |

UMTS_RADIO



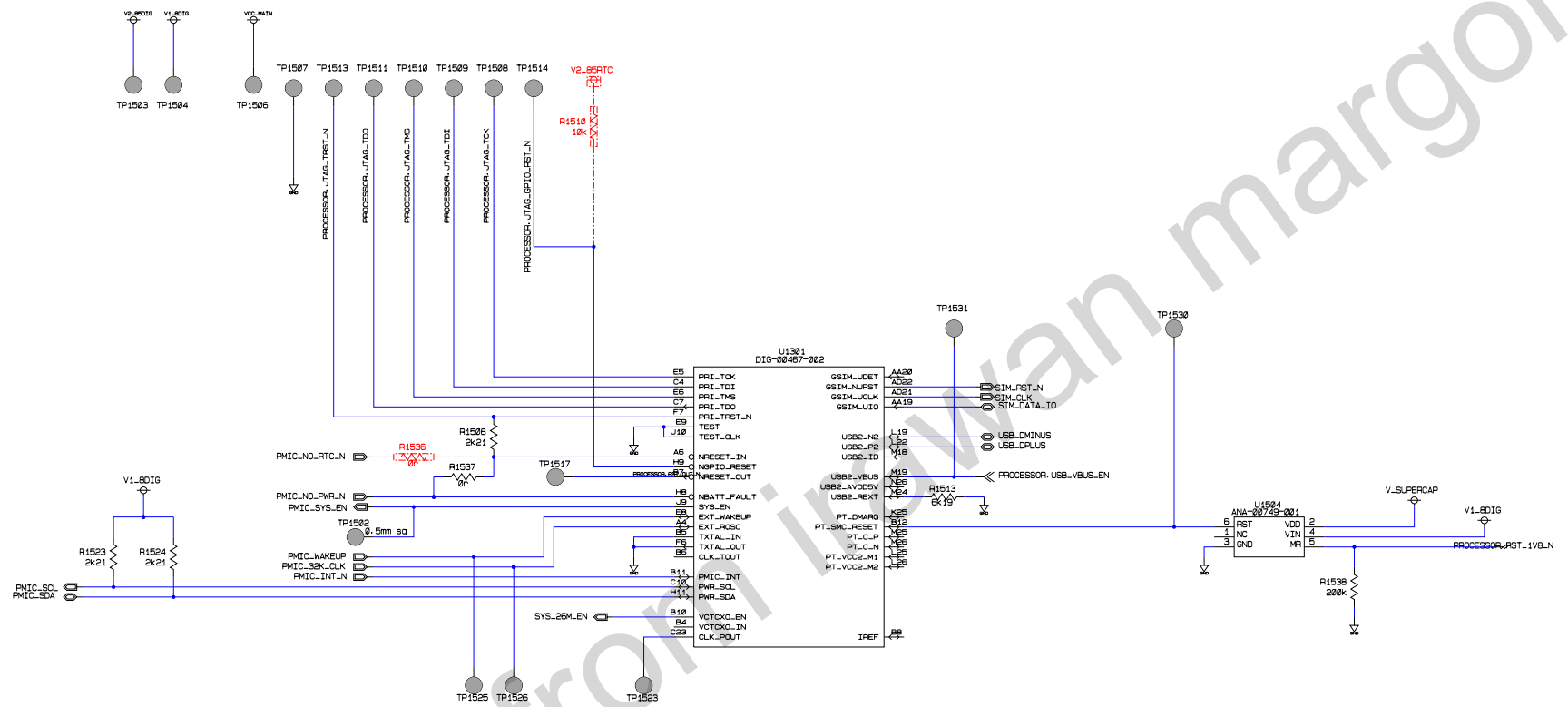
Camera test points to be placed under LCD

| | |
|---------------------------------|--|
| RESEARCH IN MOTION CONFIDENTIAL | |
| HIERARCHICAL BLOCK | COPYRIGHT 2010 RESEARCH IN MOTION LIMITED 295 PHILLIP ST. WATERLOO, ONTARIO CANADA |
| DRAWN BY: L. Stamm | PHONE (519) 888-7465 FAX (519) 888-6986 |
| RWD CHECK: M. Buchmann | TITLE Stratus Band (125/6) |
| MFG CHECK: | Uses PCB-24561-013 |
| EDITED BY: meuchmann | SIZE: DRAWING No. SCH-24562-013 |
| LAST EDIT: 2010/10/18 08:43:24 | REV 2 SHEET 13 of 18 |



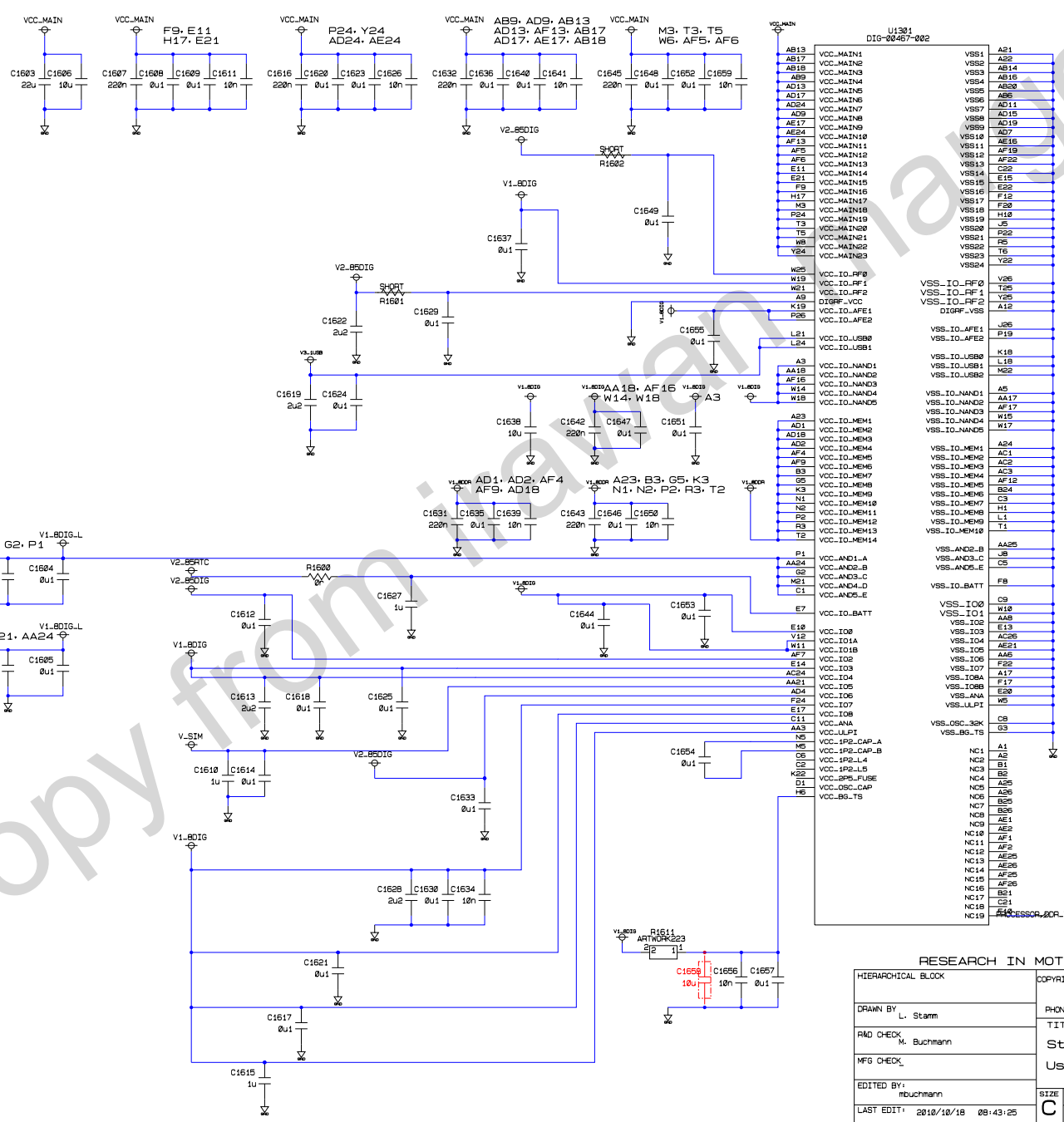
RESEARCH IN MOTION CONFIDENTIAL

| | |
|--------------------------------|---|
| HIERARCHICAL BLOCK | COPYRIGHT 2010 RESEARCH IN MOTION LIMITED 295 PHILLIP ST. WATERLOO, ONTARIO CANADA PHONE (519) 888-7465 FAX (519) 888-6906 |
| DRAWN BY L. Stamm | TITLE Stratus Band (125/6) |
| RMD CHECK M. Buchmann | Uses PCB-24561-013 |
| MFG CHECK | |
| EDITED BY mbuchmann | SIZE DRAWING No. SCH-24562-013 |
| LAST EDIT: 2010/10/18 08:43:24 | REV 2 SHEET 14 of 18 |



RESEARCH IN MOTION CONFIDENTIAL

| | |
|--------------------------------|--|
| HIERARCHICAL BLOCK | COPYRIGHT 2010 RESEARCH IN MOTION LIMITED 295 PHILLIP ST. WATERLOO, ONTARIO CANADA |
| DRAWN BY: L. Stamm | PHONE (519) 888-7465 FAX (519) 888-6906 |
| RND CHECK: M. Buchmann | TITLE Stratus Band (125/6) |
| MFG CHECK: | Uses PCB-24561-013 |
| EDITED BY: lstamm | SIZE DRAWING No. SCH-24562-013 |
| LAST EDIT: 2010/10/18 08:43:24 | REV 2 SHEET 15 of 18 |

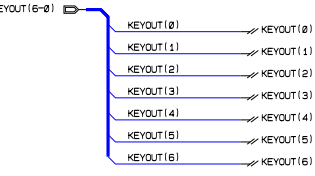
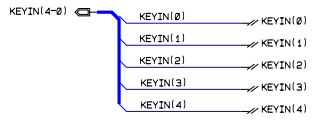


RESEARCH IN MOTION CONFIDENTIAL

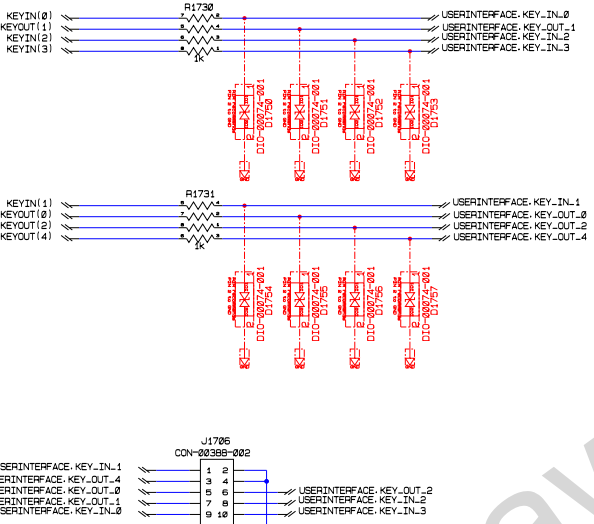
| | | |
|--------------------|---------------------|---|
| HIERARCHICAL BLOCK | | COPYRIGHT © 2010 RESEARCH IN MOTION LIMITED 295 PHILIP ST. WATERLOO, ONTARIO CANADA PHONE (519) 888-7465. FAX (519) 888-6986 |
| DRAWN BY: | L. Stamm | TITLE |
| RND CHECK: | M. Buchmann | Stratus Band (125/6) |
| MFG CHECK: | | Uses PCB-24561-013 |
| EDITED BY: | mbuchmann | SIZE |
| LAST EDIT: | 2012/10/18 09:43:25 | DRAWING No. SCH-24562-013 |
| | | REV 2 |
| | | SHEET 16 of 18 |

USERINTERFACE

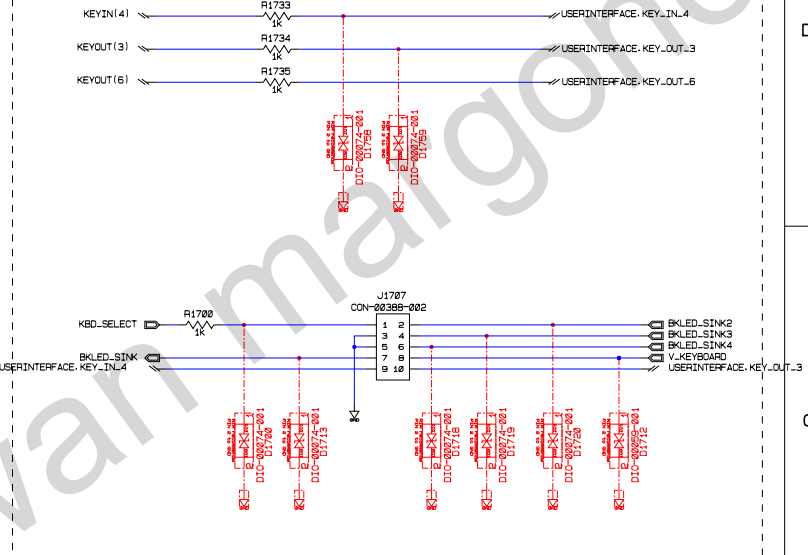
D



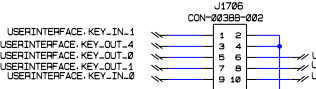
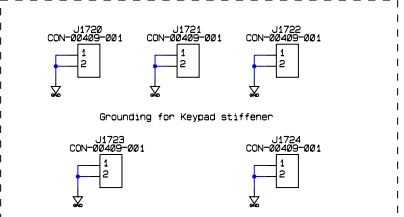
Left Keyboard connector



Right Keyboard Connector

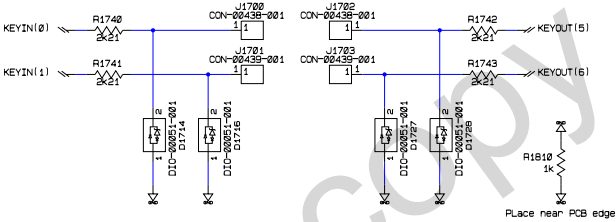


C

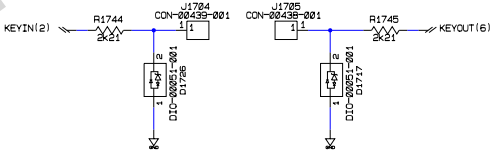


B

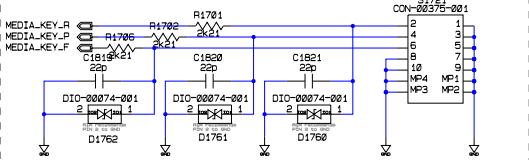
WLAN FLEX CAMERA SHUTTER VOLUME KEYS



BT FLEX CONVINCENCE



MEDIA FLEX

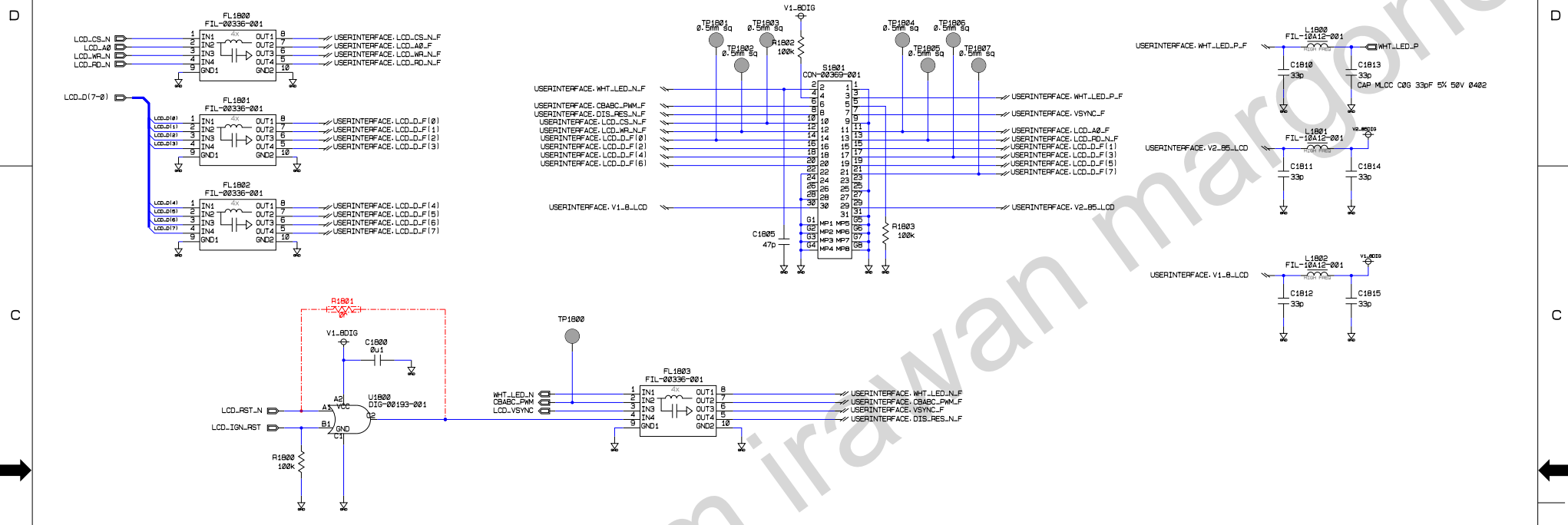


A

| | |
|---------------------------------|--|
| RESEARCH IN MOTION CONFIDENTIAL | |
| HIERARCHICAL BLOCK | COPYRIGHT 2010 RESEARCH IN MOTION LIMITED 295 PHILLIP ST. WATERLOO, ONTARIO CANADA |
| DRAWN BY: L. Stamm | PHONE (519) 888-7465- FAX (519) 888-6906 |
| RMD CHECK: M. Buchmann | TITLE Stratus Band (125/6) |
| MFG CHECK: | Uses PCB-24561-013 |
| EDITED BY: meuchmann | SIZE DRAWING No. SCH-24562-013 |
| LAST EDIT: 2010/10/18 08:43:25 | REV 2 SHEET 17 of 18 |

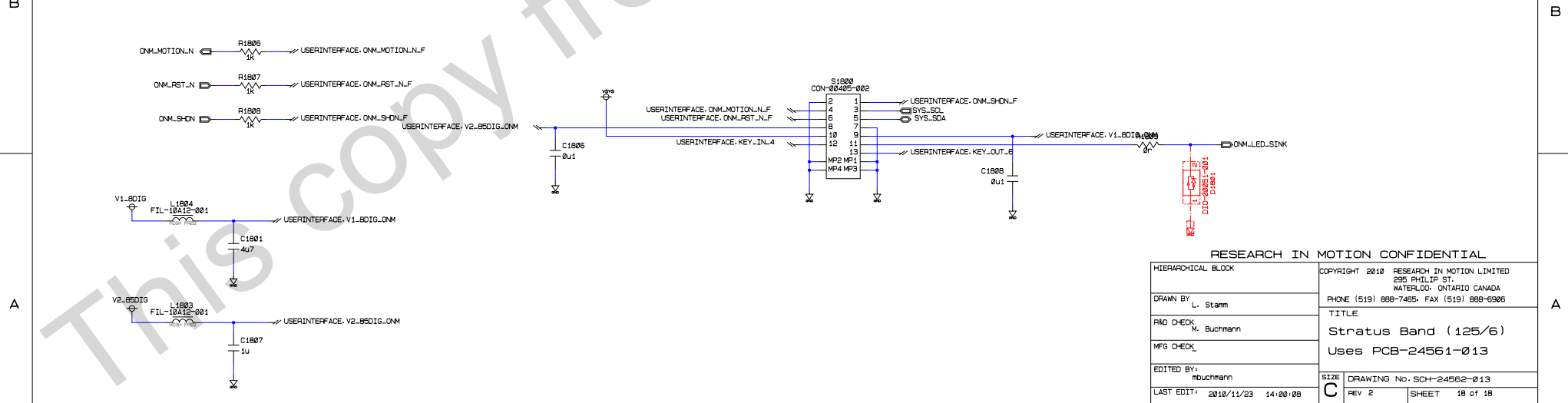
USERINTERFACE2

LCD CONNECTOR



Optical Navigation Module Interface

for HDW-27779-111



RESEARCH IN MOTION CONFIDENTIAL

| | |
|--------------------------------|--|
| HIERARCHICAL BLOCK | COPYRIGHT 2010 RESEARCH IN MOTION LIMITED 295 PHILLIP ST. WATERLOO, ONTARIO CANADA |
| DRAWN BY: L. Stamm | PHONE (519) 888-7465 FAX (519) 888-6906 |
| RWD CHECK: M. Buchmann | TITLE Stratus Band (125/6) |
| MFG CHECK: | Uses PCB-24561-013 |
| EDITED BY: mbuchmann | SIZE DRAWING No. SCH-24562-013 |
| LAST EDIT: 2010/11/23 14:02:08 | REV 2 SHEET 18 of 18 |