

4

3

2

1

D

D

C

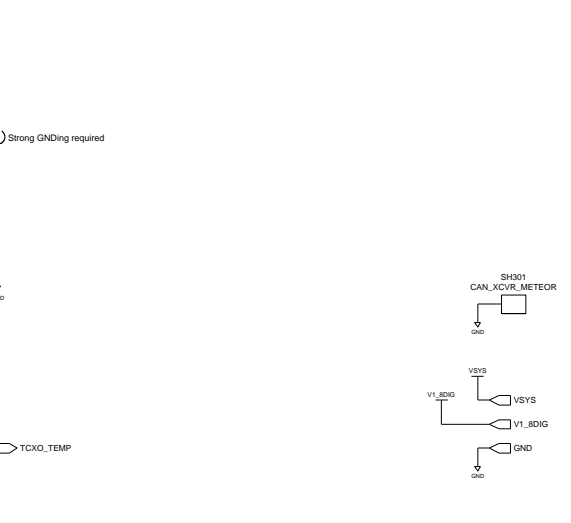
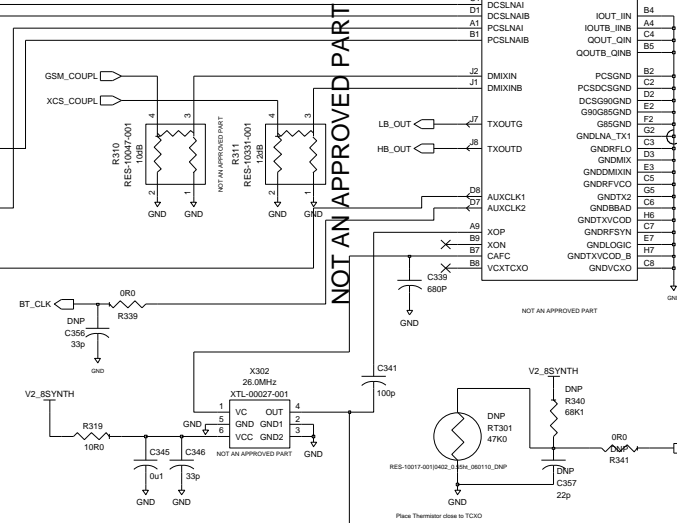
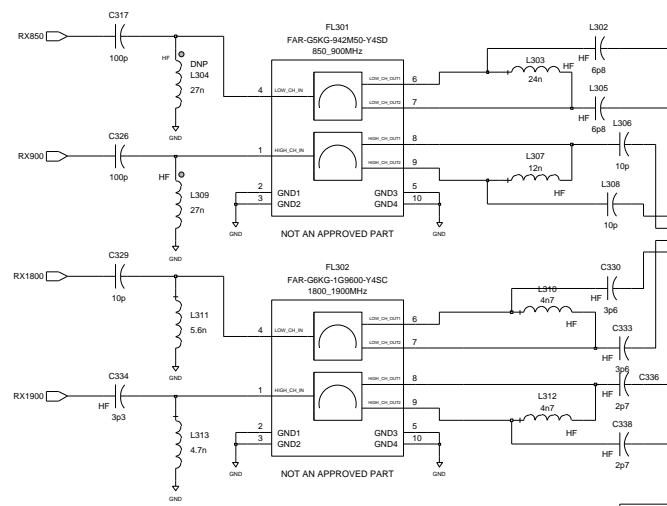
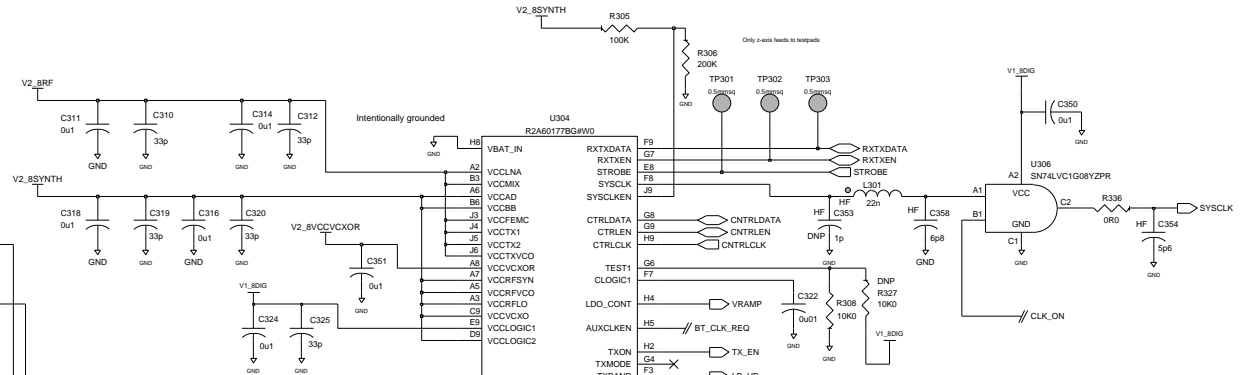
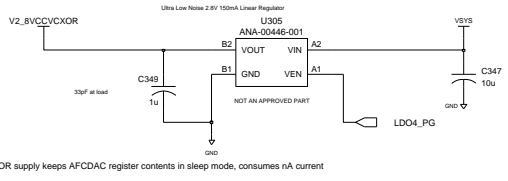
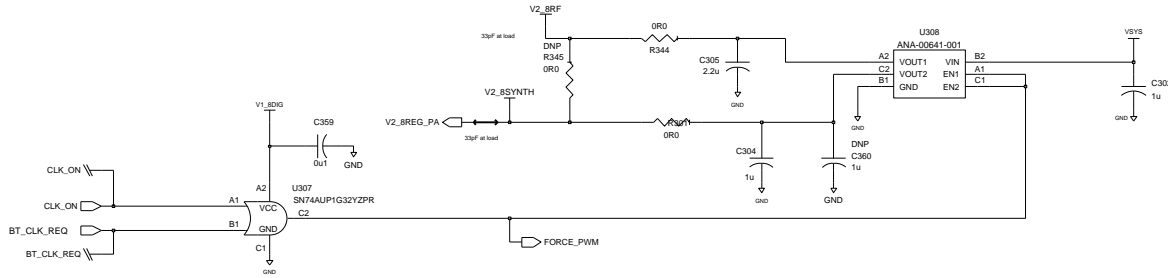
C

B

B

A

A



NOT AN APPROVED PART

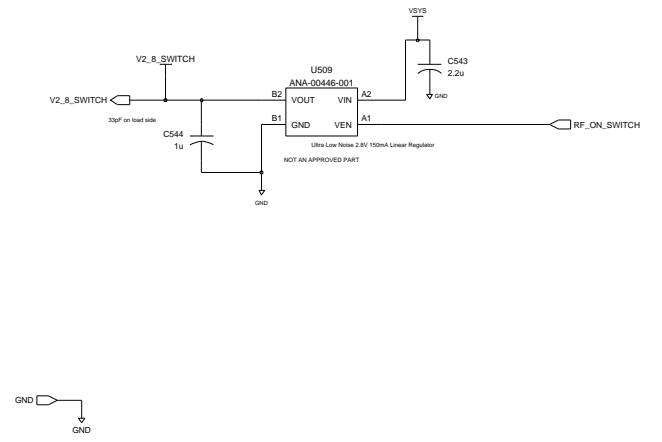
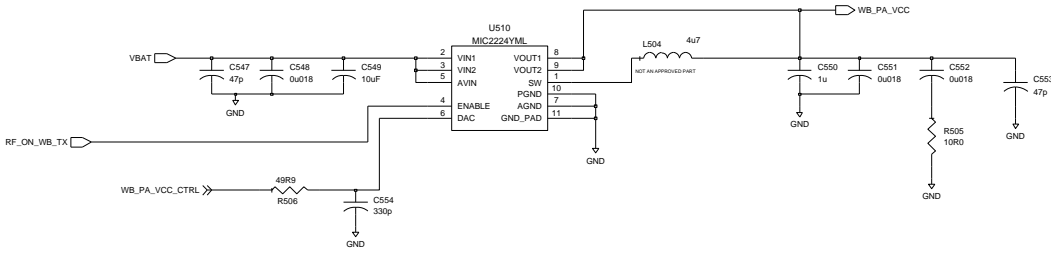
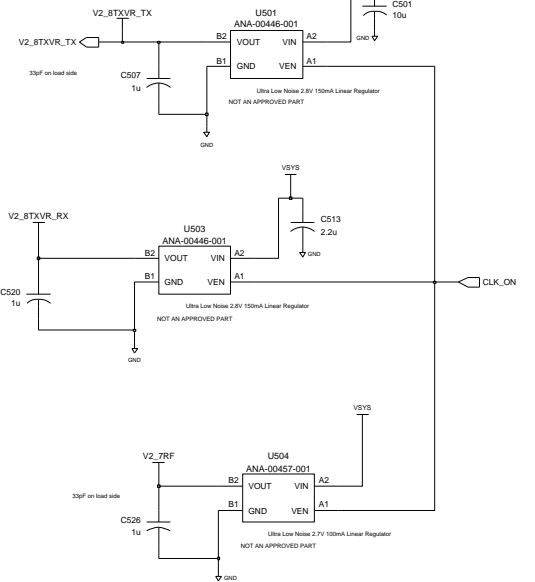
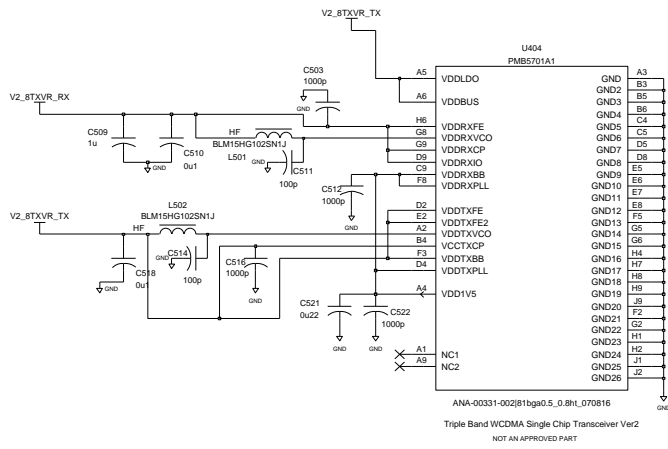
Strong GNDING required

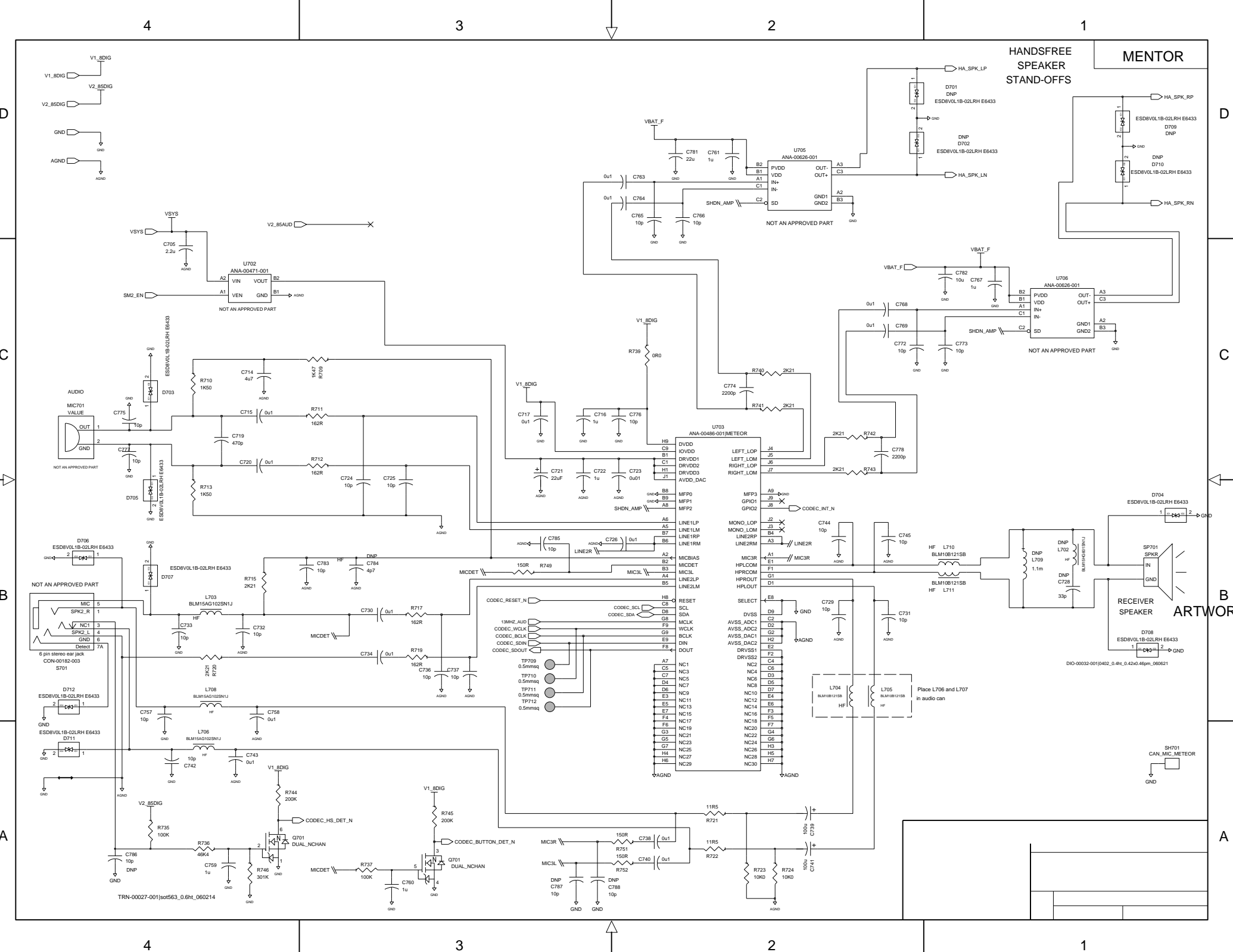
4

3

2

1





HANDSFREE SPEAKER STAND-OFFS

MENTOR

D

D

C

C

B

B

ARTWORK

A

A

TRN-00027-001|sot563_0.6ht_060214

DIO-00032-001|d402_0.4ht_0.42x0.46pm_060621

Place L706 and L707 in audio can

4

3

2

1

D

D

C

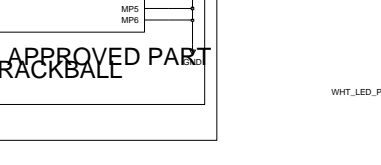
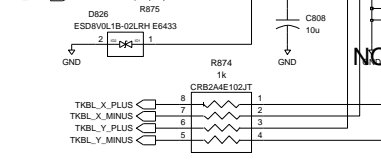
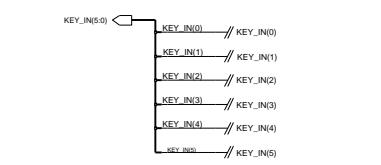
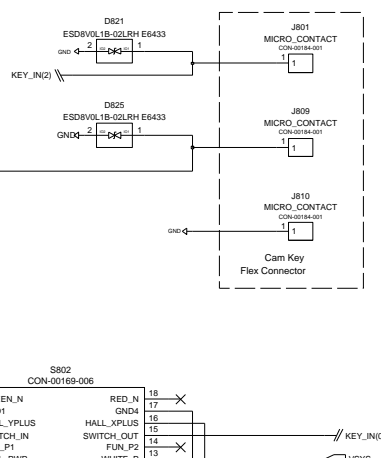
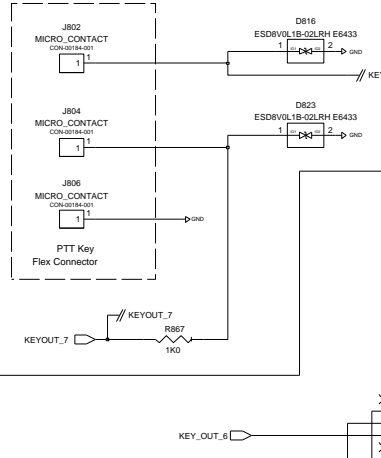
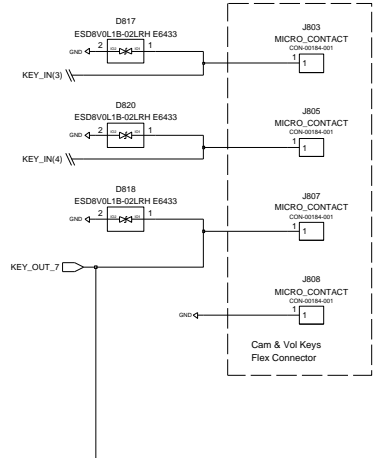
C

B

B

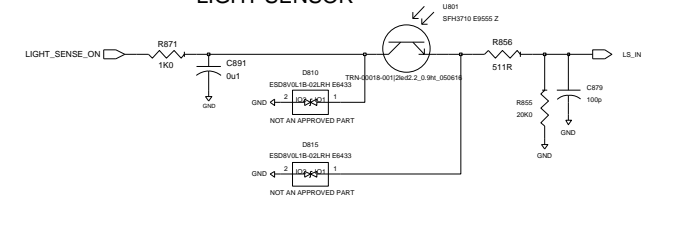
A

A

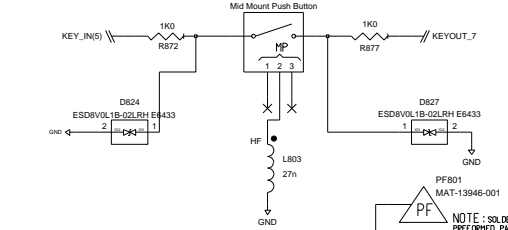


NOT AN APPROVED PART TRACKBALL

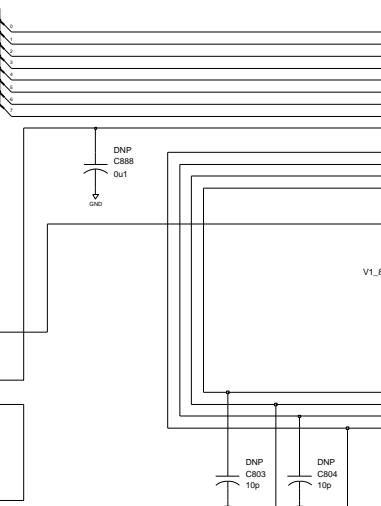
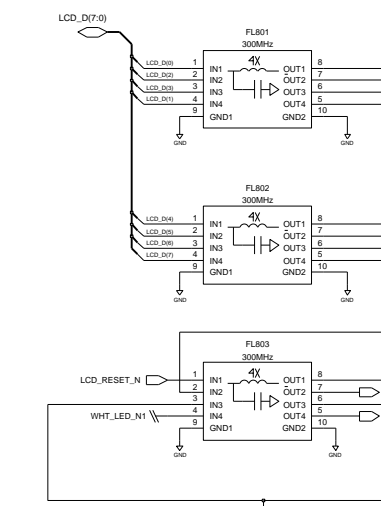
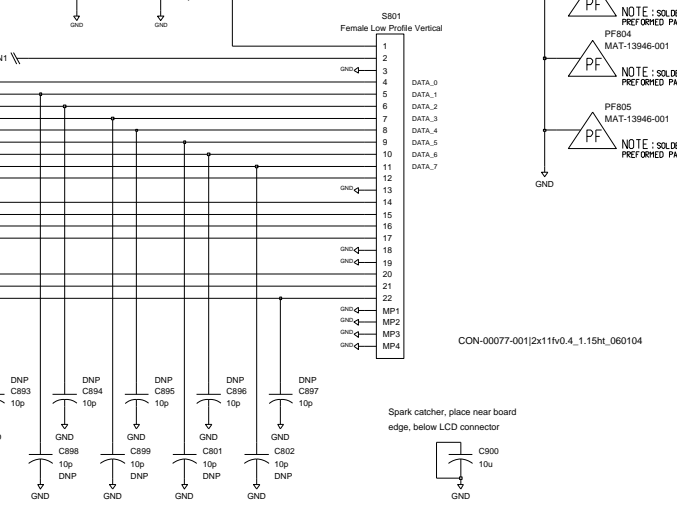
LIGHT SENSOR



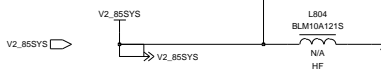
MUTE KEY



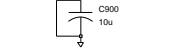
LCD CONNECTOR (t-sapphire)



Place FL801-FL804 in the Digital Cavity Place 10pf caps near LCD connector



Spark catcher, place near board edge, below LCD connector

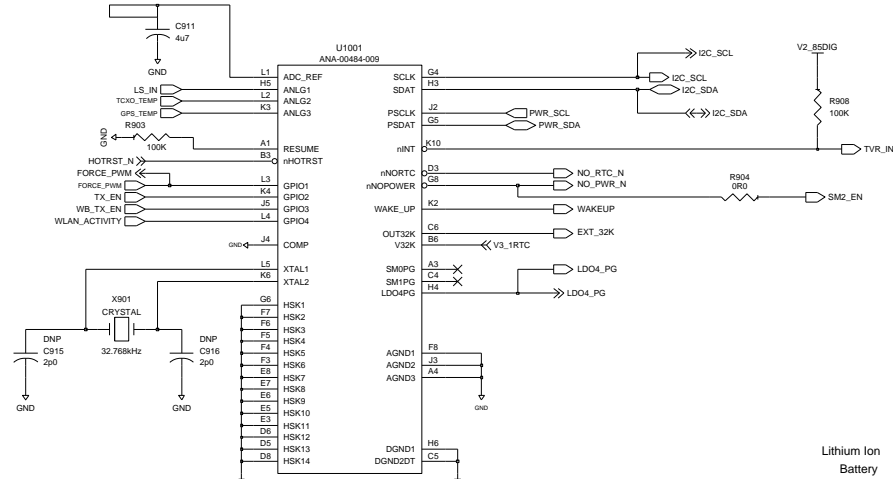
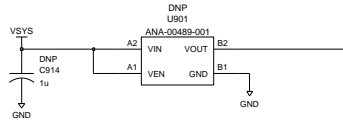


- PF801 MAT-13946-001
- PF802 MAT-13946-001
- PF803 MAT-13946-001
- PF804 MAT-13946-001
- PF805 MAT-13946-001
- PF806 MAT-13946-001

Preforms for through hole Mute Switch

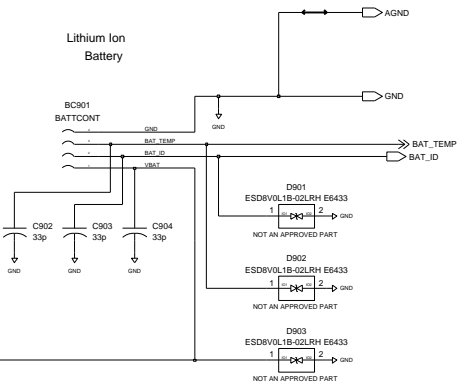
CON-00077-001(2x11x0.4_1.15H_060104

BqHUGE



NOT AN APPROVED PART

Lithium Ion Battery

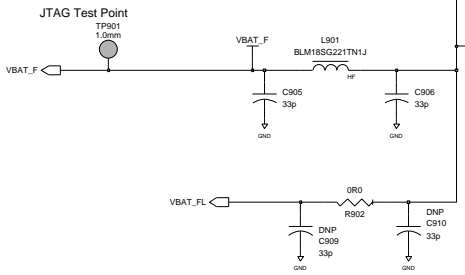
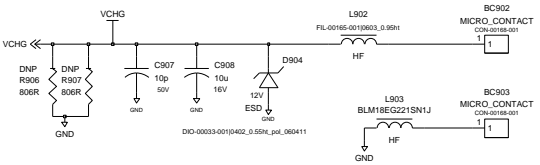


NOT AN APPROVED PART

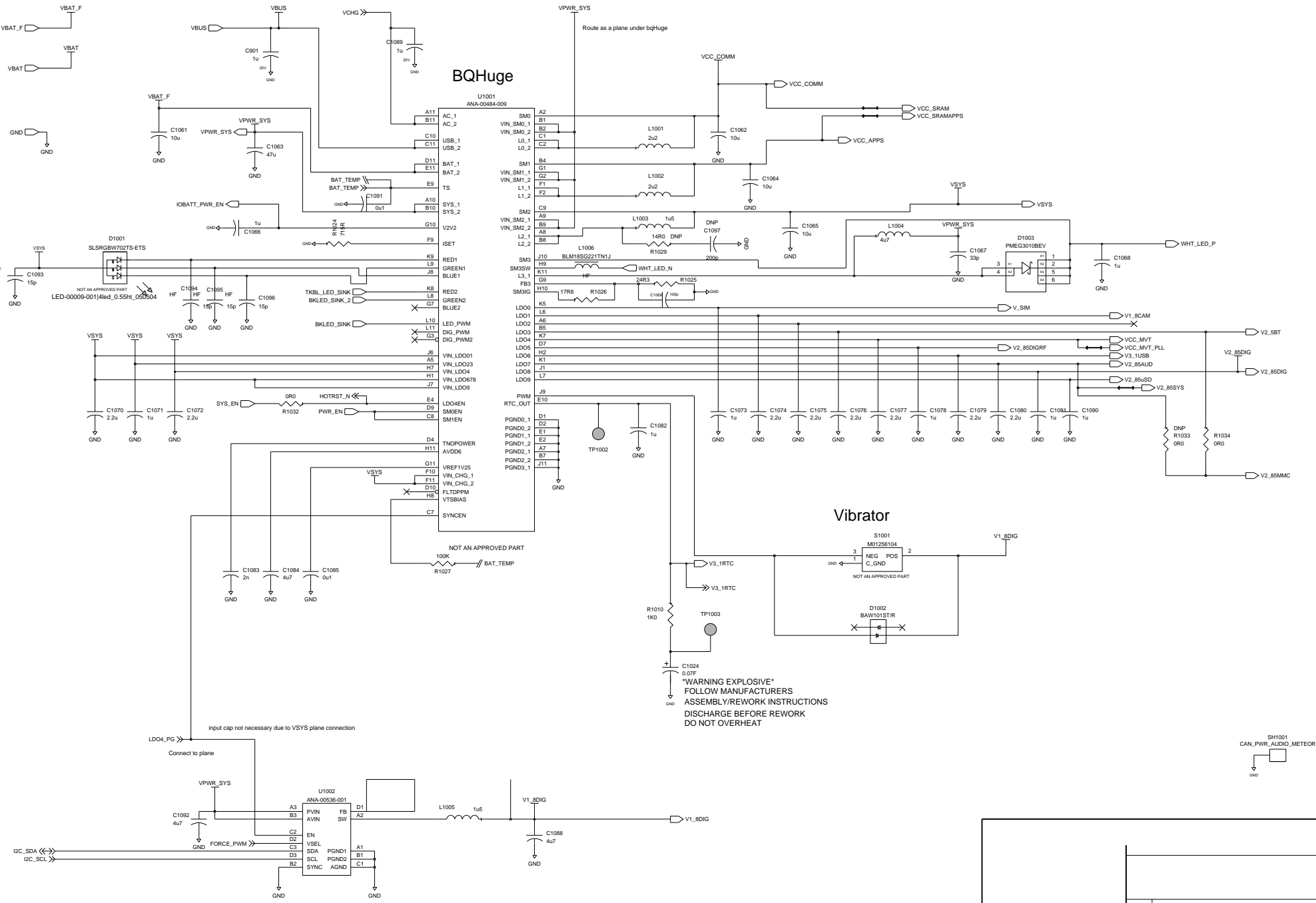
NOT AN APPROVED PART

NOT AN APPROVED PART

Charging Contacts



JTAG TP uses VBAT_F due to ease of routing



BQ76940

U1001 ANA-00184-009

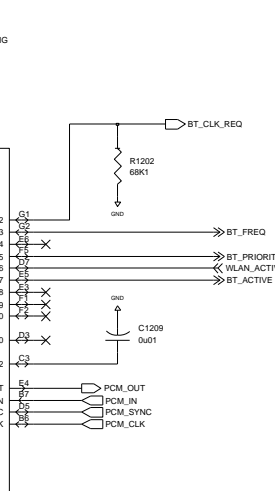
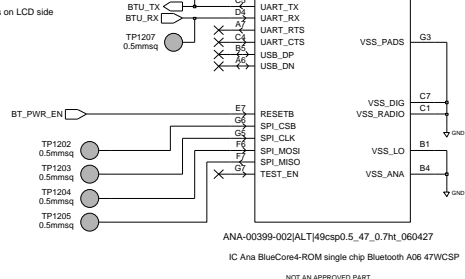
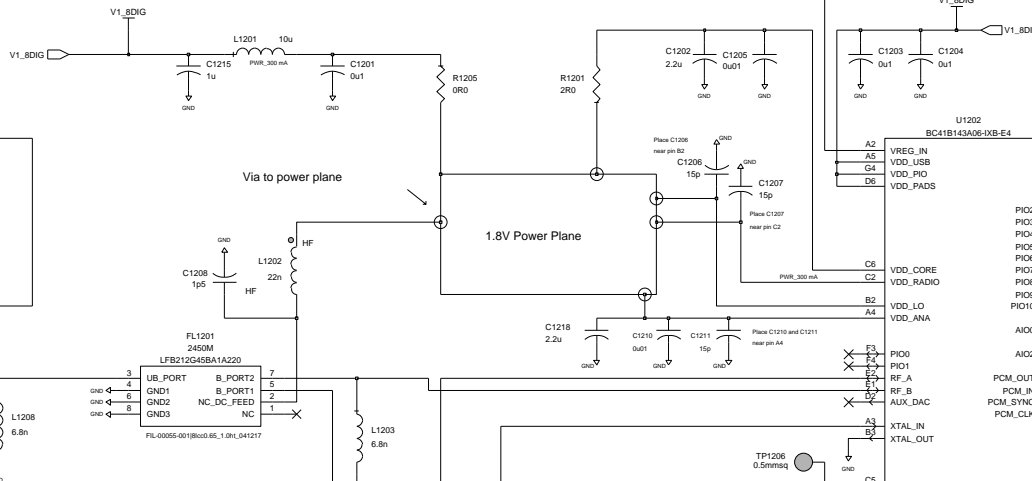
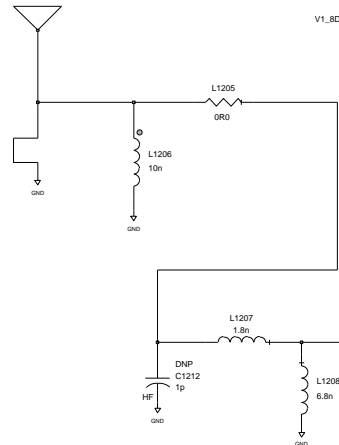
Vibrator

S1001 M01296104

WARNING EXPLOSIVE
FOLLOW MANUFACTURERS
ASSEMBLY/REWORK INSTRUCTIONS
DISCHARGE BEFORE REWORK
DO NOT OVERHEAT

SH1001
 CAN_PWR_AUDIO_METEOR

BLUETOOTH ANTENNA



4

3

2

1

UMTS RADIO

UMTS
EDGE

NOT AN APPROVED PART

MMI

LCD

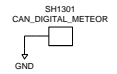
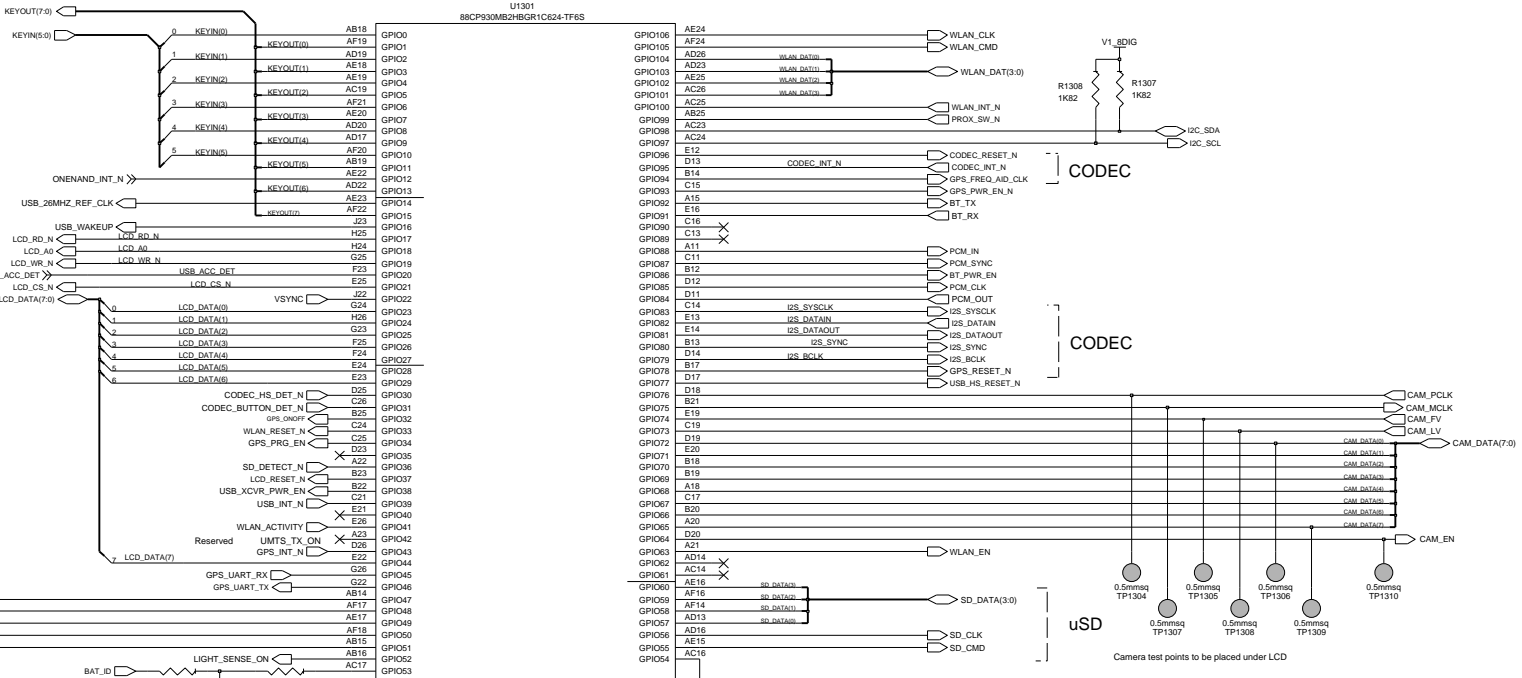
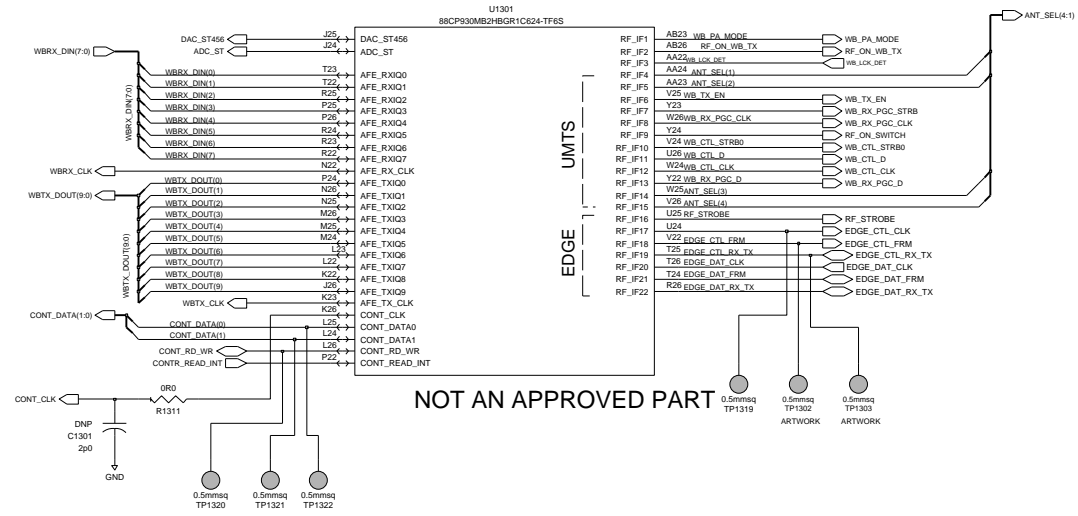
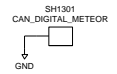
NOT AN APPROVED PART

CODEC

CODEC

uSD

Camera test points to be placed under LCD

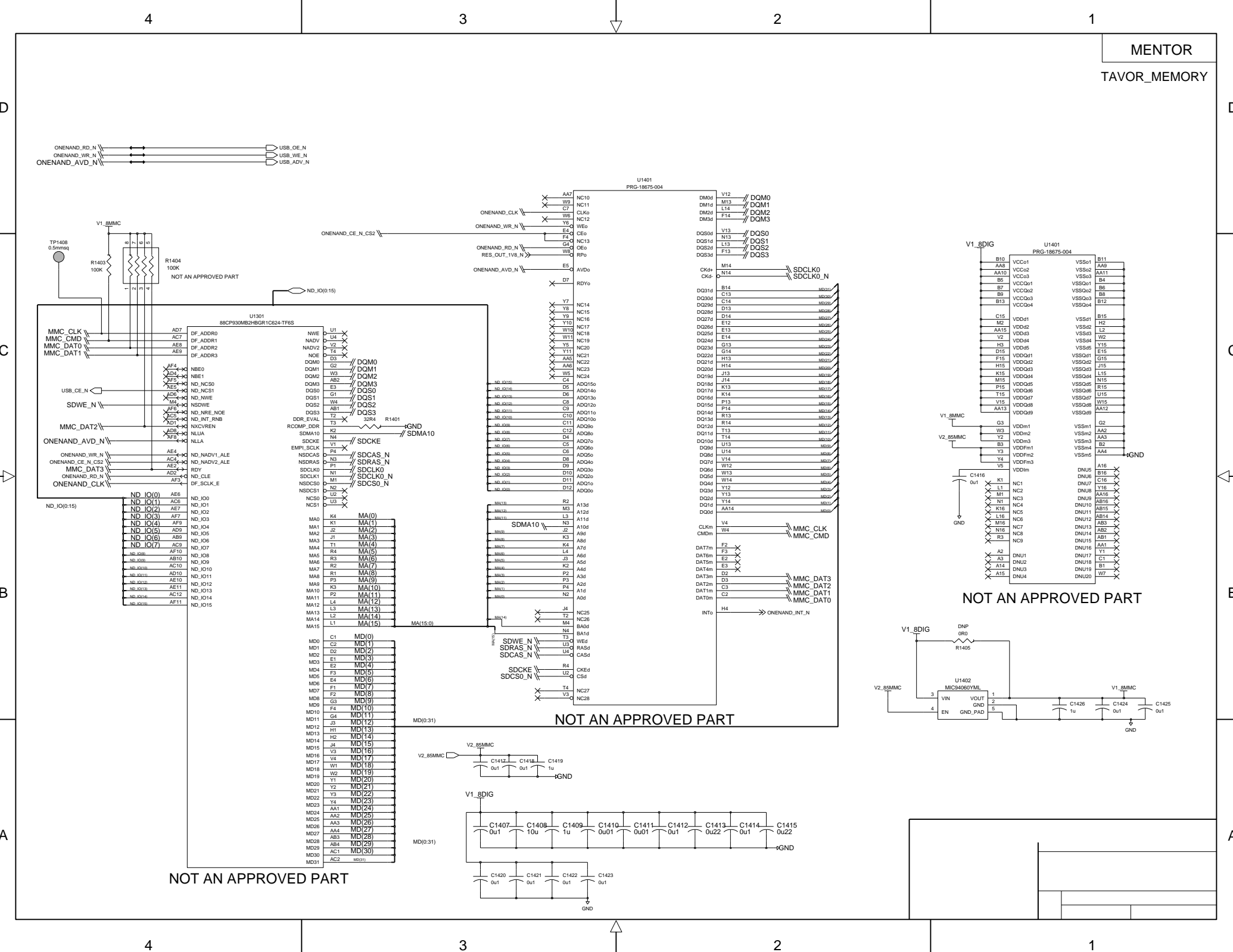


4

3

2

1



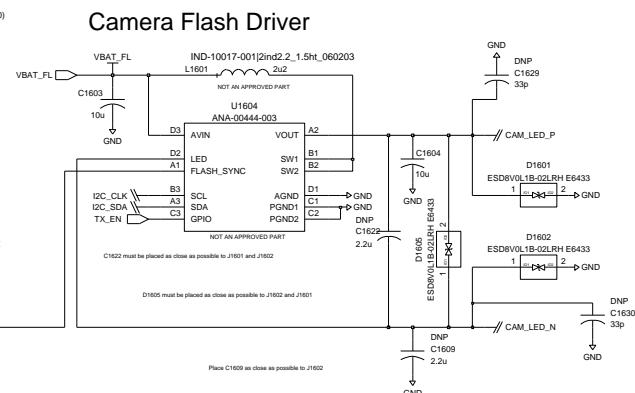
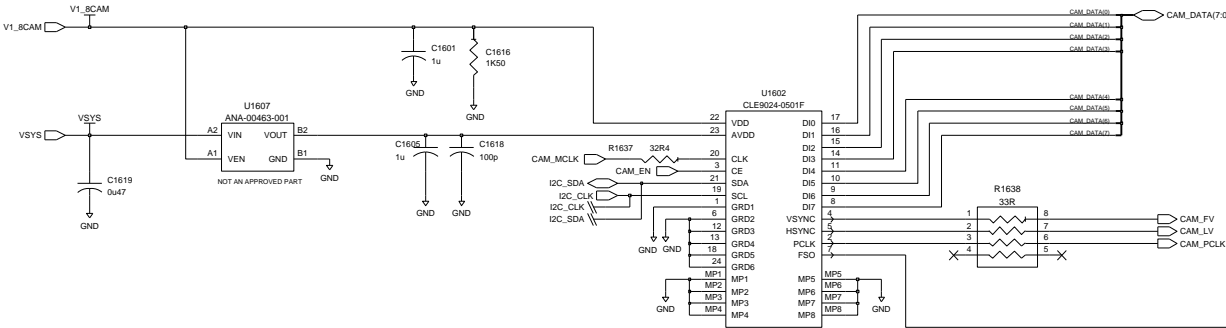
NOT AN APPROVED PART

NOT AN APPROVED PART

NOT AN APPROVED PART

2MP Camera Socket

Camera Flash Driver



Speaker/Flash Flex Connector

